



# INSTALLATION MANUAL

## For Chameleon PARALIGHT Series

### IMPORTANT SAFETY INSTRUCTION

Read this installation guide prior to attempting installation. Always turn OFF the main power before starting your installation. Consult a qualified electrician before installation. Installation should be carried out by a qualified electrician.

During installation, basic safety precautions should always be followed, including the following listed.

1. Do not install the lighting system in a wet location.
2. Ensure the appropriate connectors match the luminaire fixture
3. Do not install any part of the luminaire less than 5 feet above the floor.
4. Do not install any luminaire assembly closer than 5 inches from any window treatments, i.e., curtain, blinds or any similar combustible type material.
5. Do not attempt to energize anything other than the luminaire fixtures.
6. To reduce the risk of fire and electric shock, do not attempt to connect to power tools, extension cords, appliances, or the like, to the track.
7. Maintenance of the luminaires should be performed by person(s) familiar with the luminaires construction and any hazards involved. Regular fixture maintenance programs are recommended.
8. Do not exceed the nominal supply voltage or amperage ratings.
9. Turn the power OFF at the fuse or circuit breaker box before doing any installation or maintenance activities.
10. Wear rubber soled shoes and work on a sturdy wooden or non-conductive ladder.
11. The lighting product must be mounted in locations and at heights in compliance with the National Electrical Code and with local building codes. Installing contrary to instruction may cause unsafe conditions.
12. To avoid hazards to children, take accountability for all parts and dispose all packing materials properly.

13. It may be necessary to clean the refractor / lens. Frequency of cleaning will depend on ambient dirt level and minimum light output which is acceptable to the user. Refractor / lens should be washed in a solution of warm water and any mild, non-abrasive household detergent, rinsed with clean water and wiped dry. Should optical assembly become dirty on the inside, wipe refractor / lens and clean in above manner, replacing damaged gaskets as necessary.
14. Call the Technical Support department about any installation questions.
15. Do not install a damaged product. This luminaire has been properly packed so that no parts should have been damaged during transit. Inspect to confirm. Any part damaged or broken during or after assembly should be replaced.
16. These instructions do not purport to cover all details or variations in equipment nor to provide every possible contingency to meet in connection with installation, operation or maintenance. Should further information be desired or particular problems arise, not covered sufficiently for the purchaser's or owner's purposes, please contact the Technical Team.



## CAUTION

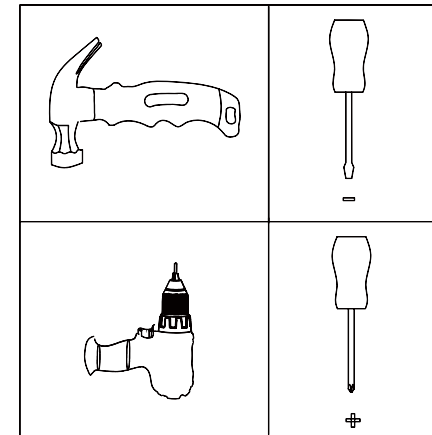
This equipment is intended to be installed only by qualified personnel. The installation must be made in accordance with the current edition of the National Electrical Code (NEC) and all applicable state and local building codes. The final installation must be approved by the appropriate, qualified electrical / building inspector(s). Improper installation may result in a fire or electrical hazard. Ensure the electrical power to the circuit has been disconnected before installing the electrical system.



## WARNING

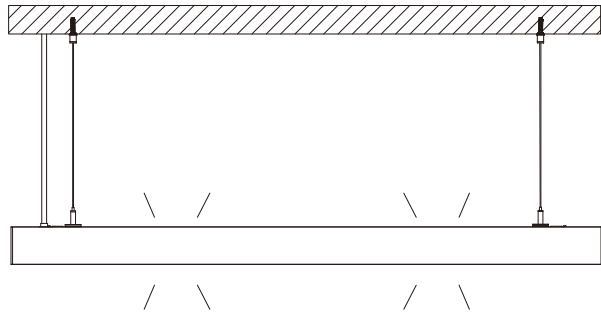
- Risk of fire. Most dwellings built before 1985 have supply wire rated at 60 °C.
- Consult a qualified electrician before installation.
- Properly ground electrical enclosure.
- To prevent wiring damage or abrasion, do not expose wiring to edges of sheet metal or other sharp objects.
- Use only UL approved wire input/output connections. Minimum size 18 AWG or 14AWG if there are any continuous runs.
- If the fixtures are connected in a continuous run, do not exceed allowable number of fixtures in series/power in continuous runs.
- Inrush currents must be taken in account by the electricians to account for proper circuit design.

### TOOL





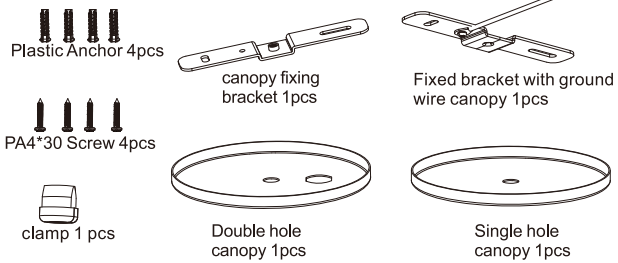
13



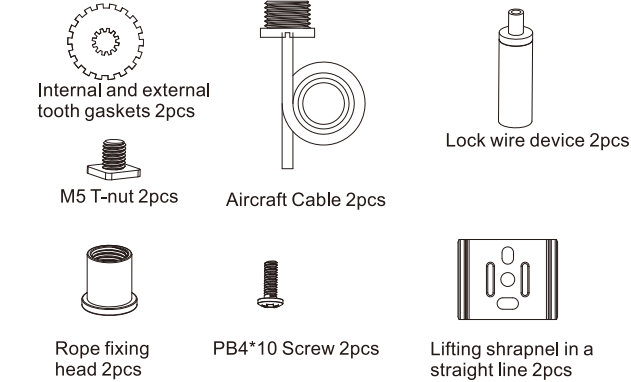
13. After confirming the accuracy, turn on the switch to use it

**B. Suspended Mount Installation Steps With Canopies**

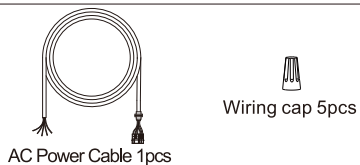
List of canopy kits



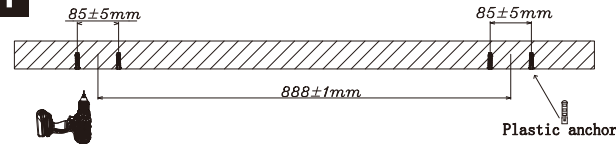
List of lifting ropes



AC input line list

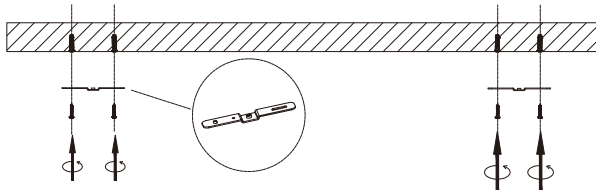


1



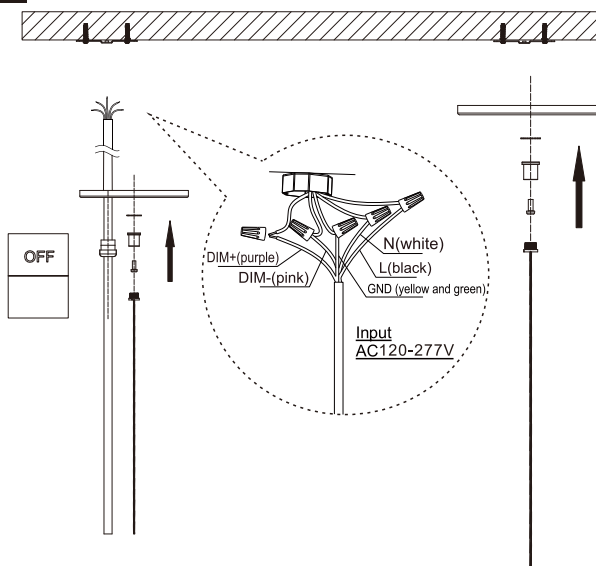
1. Punch holes in the appropriate position on the ceiling and insert expansion plugs

2



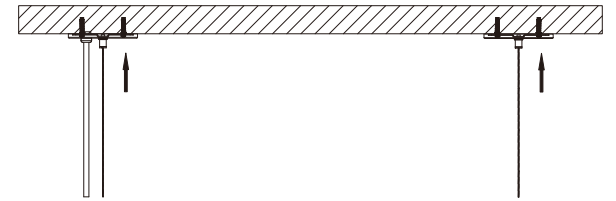
2. Fix the suction cup fixing bracket to the ceiling

3



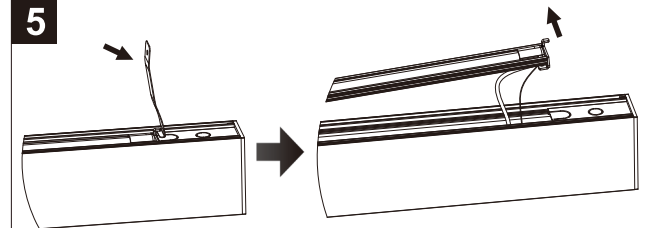
3. Knock off the knockout plate on the canopy, thread the AC wire into the canopy and connect it to the mains. After connection, fix it on the canopy with a wire clamp. At this time, install the lifting rope and canopy on the fixing bracket through screws

4



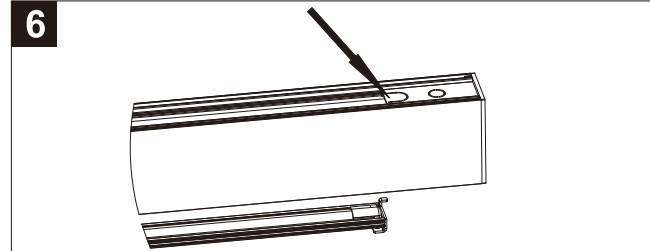
4. Schematic diagram after installing the canopy

5



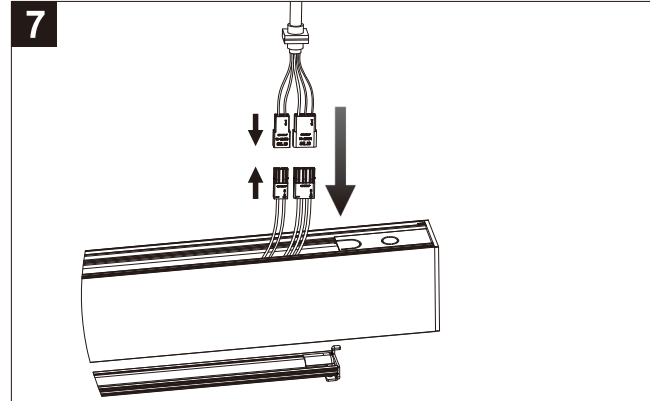
5. Open the upper light modular

6

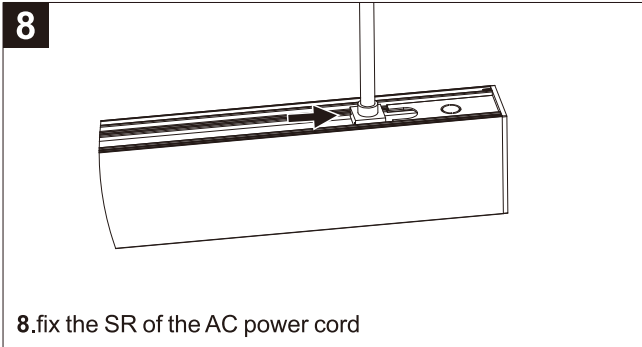


6. cut the knockout hole with the Electrician's cutters

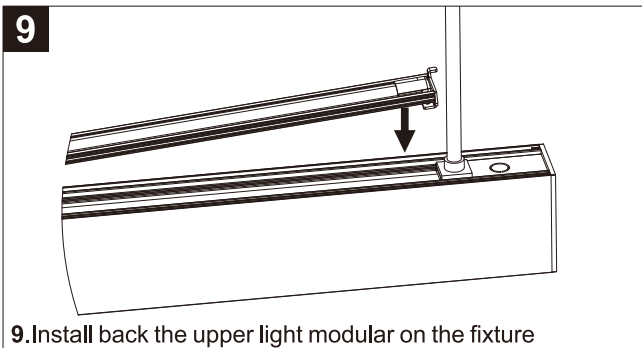
7



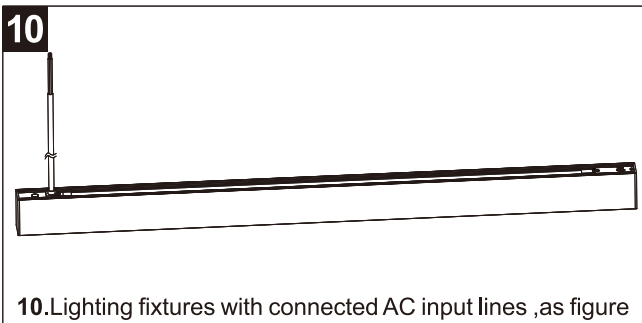
7. Connect the AC power cord with the inner linkable cable



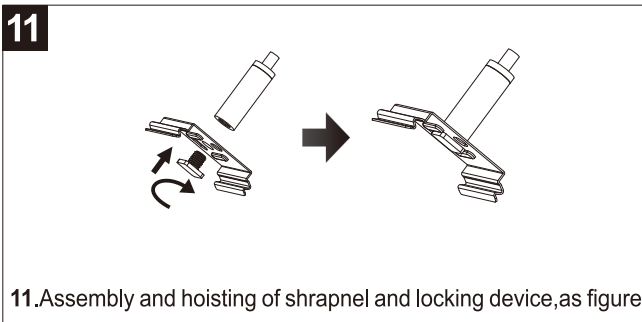
8. fix the SR of the AC power cord



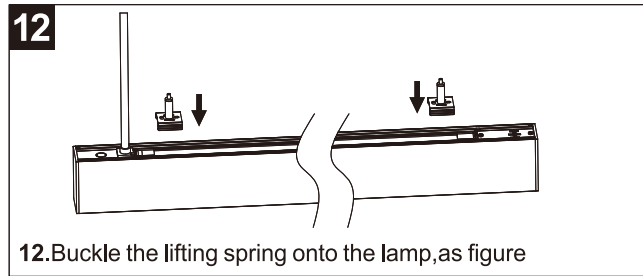
9. Install back the upper light modular on the fixture



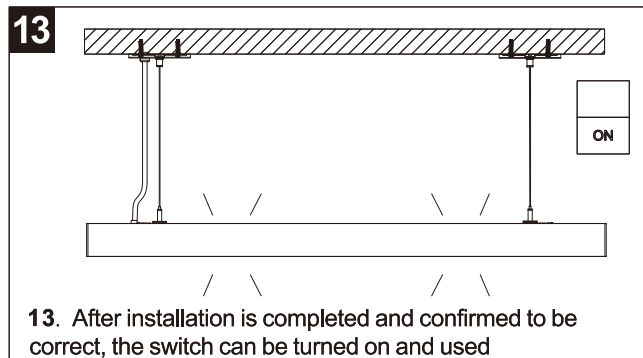
10. Lighting fixtures with connected AC input lines , as figure



11. Assembly and hoisting of shrapnel and locking device, as figure



12. Buckle the lifting spring onto the lamp, as figure



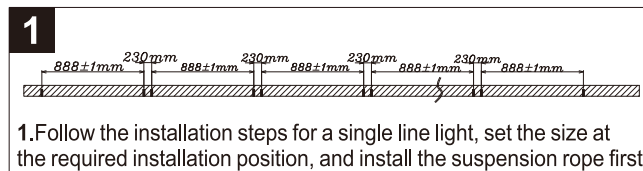
13. After installation is completed and confirmed to be correct, the switch can be turned on and used

### C. Linkable Installation Steps

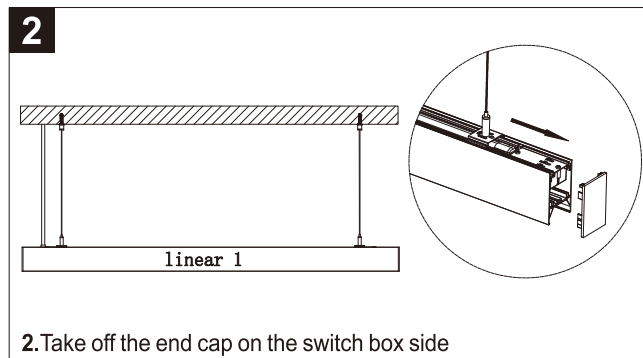
#### Install accessories



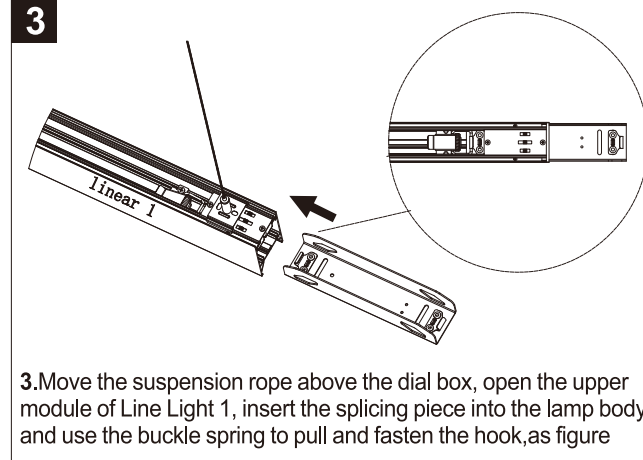
Connection piece 1pcs



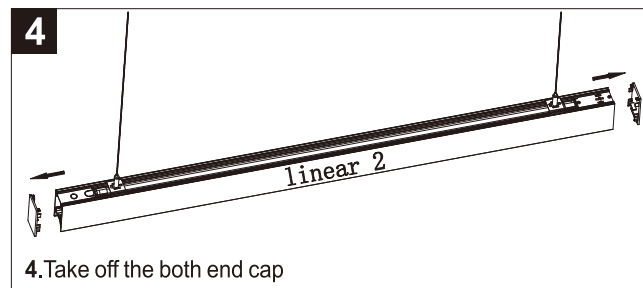
1. Follow the installation steps for a single line light, set the size at the required installation position, and install the suspension rope first



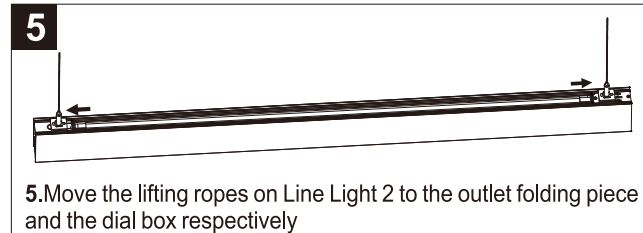
2. Take off the end cap on the switch box side



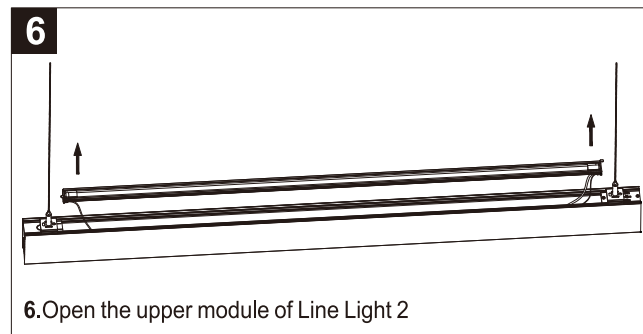
3. Move the suspension rope above the dial box, open the upper module of Line Light 1, insert the splicing piece into the lamp body, and use the buckle spring to pull and fasten the hook, as figure



4. Take off the both end cap



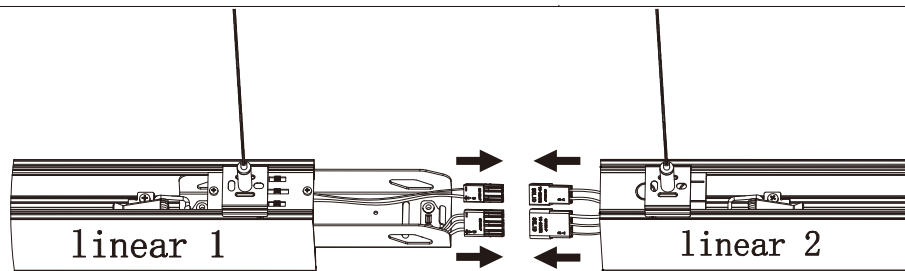
5. Move the lifting ropes on Line Light 2 to the outlet folding piece and the dial box respectively



6. Open the upper module of Line Light 2

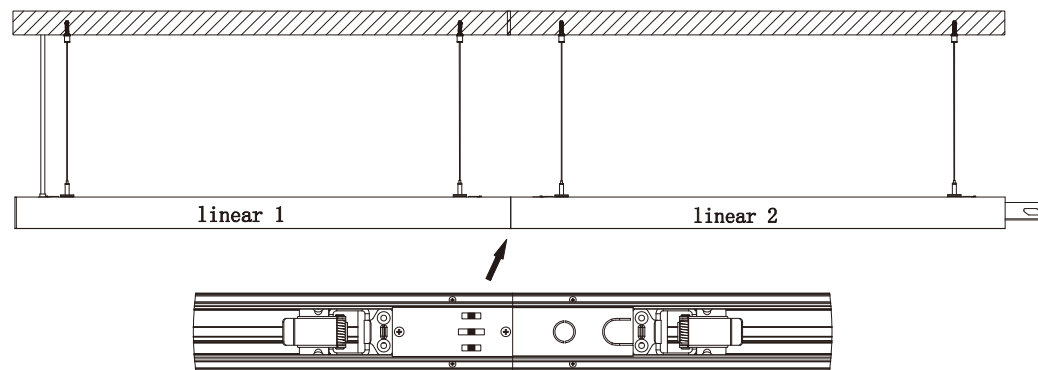
280 mm

7



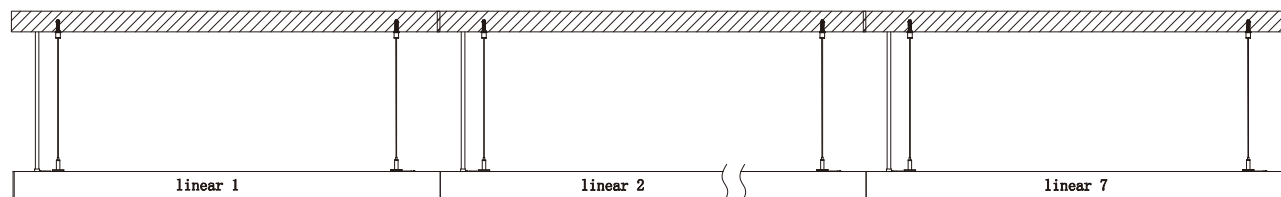
7. Connect the splicing lines of linear1 and linear2 together, as figure

8



8. Linear 1 and Linear 2 are fastened with buckle springs to ensure seamless splicing of the lighting fixtures, as figure

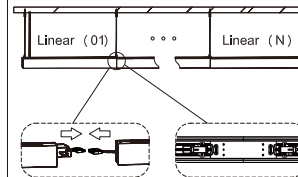
9



9. Follow the above steps to assemble the line lights one by one, adjust the balance of the lighting fixtures through the lifting rope, and once confirmed to be correct, they can be lit up and used.

NOTE:  
LED LINEAR CAN BE GAPLESS LINKABLE TOGETHER AS NEEDED,  
(if you order to use 18# cord, More Links can be Customized.)

Link Instruction and Disclaimer



Max. linkable Quantity (Unit:PC)  
Linkable fixtures Qty need to meet the below two conditions:  
1)  $N \leq 7$  pcs  
2) Input voltage = 120V,  $N * P \leq 420W$   
Input voltage = 277V,  $N * P \leq 960W$   
Input voltage = 347V,  $N * P \leq 1200W$   
Note: N = Qty of linkable fixtures,  
P = Wattage per fixture

210 mm