



CHAMELEON LIGHTING

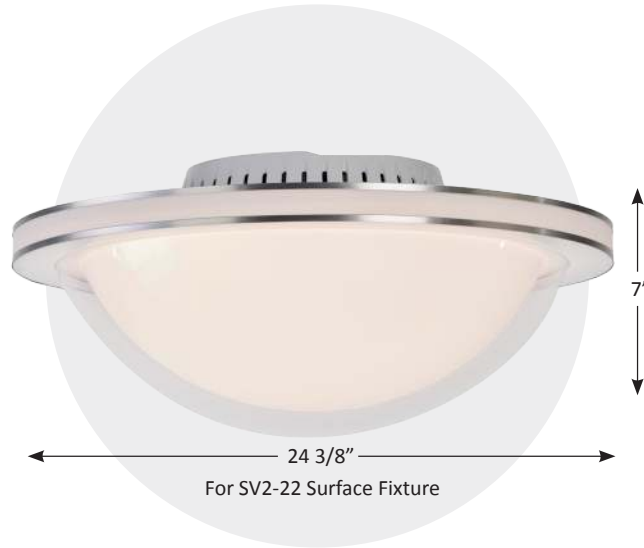
CATALOG NUMBER: _____

TYPE: _____

JOB NAME: _____

NOTES: _____

DOUBLE DOME CLADDING KITS



PRODUCT SPECIFICATION

STYLE	SIZE	FINISH	LIGHTING ELEMENT
<input type="checkbox"/> DD	<input type="checkbox"/> SV2-14 for 14" Surface Fixture <input type="checkbox"/> SV2-22 for 22" Surface Fixture	<input type="checkbox"/> S Brushed Silver <input type="checkbox"/> B Bronze	**CHOOSE LIGHT ENGINE SPECIFICS ON NEXT PAGE

Grayed areas are codes for creating your lighting specification
Example Product Spec. - DD-SV2-14-S

10 Strecker Rd. / Ellisville, MO 63011 / Ph. (888) 896-2101 / Fax (888) 896-2101 / info@chameleonltg.com

WWW.CHAMELEONLTG.COM

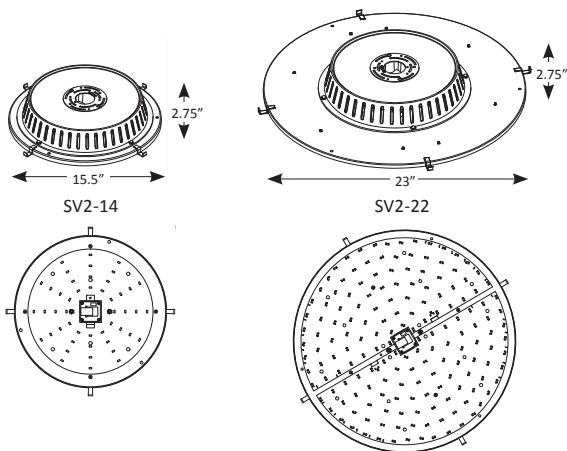
Specifications subject to change without notice.

MADE
IN THE USA



CHAMELEON LIGHTING

SURFACE SERIES VERSION 2



PRODUCT SPECIFICATION

FAMILY	COLOR TEMP.*	CRI
<input type="checkbox"/> SV2-14	<input type="checkbox"/> CT 2200K - 6500K	<input type="checkbox"/> 8 >80
<input type="checkbox"/> SV2-22	<input type="checkbox"/> 30 3000K	
	<input type="checkbox"/> 35 3500K	

*HMI Wireless remote control accessory necessary for tunable fixtures

Grayed areas are codes for creating your lighting specification

Example Product Spec. - SV2-22-CT-8

10 Strecker Rd. / Ellisville, MO 63011 / Ph. (888) 896-2101 / Fax (888) 896-2101 / info@chameleonltg.com

WWW.CHAMELEONLTG.COM

Specifications subject to change without notice.

CATALOG NUMBER: _____

TYPE: _____

JOB NAME: _____

NOTES: _____

LED MODULE

Lumiled LED 2200K – 6500K
Consistent lumen output throughout all CCT, CRI 80
SV2-14 Minimum of 3000 delivered lumens
SV2-22 Minimum of 5000 delivered lumens

THERMAL MANAGEMENT

Die Cast aluminum heat sink with venting to ensure maximum heat dissipation. 50,000 minimum L70

CONSTRUCTION

Die Cast Aluminum housing with 18 GA steel chassis

ELECTRICAL

120-277V input power supply.

Wireless mesh network for color tuning and dimming with a minimum light level of 1%. (HMI and Bluetooth device required for wireless control)

Fixture can be factory set to any of the following static temperatures with 0 - 10V dimming:
2200, 2400, 2700, 3000, 3500, 4000, 5000 or 6500K
127 Zones for control

For other control including motion and photo sensors as well as DMX, consult factory

LISTING

ETL for US and Canada suitable for damp location DLC Pending

WARRANTY

5 years

MOUNTING

Can be surface, stem, or cable mounted
**See accessories page for more information.

SIZE

SV2-14 15.5" Diameter with clips X 2.75" height
SV2-22 23" Diameter with clips X 2.75" height

