

STEP-BY-STEP GUIDE FOR INSTALLING CHAMELEON SV4

READ AND FOLLOW ALL SAFETY INSTRUCTIONS!
SAVE THESE INSTRUCTIONS AND DELIVER TO OWNER AFTER INSTALLATION

- To reduce the risk of death, personal injury or property damage from fire, electric shock, falling parts, cuts/abrasions, and other hazards please read all warnings and instructions included with and on the fixture box and all fixture labels.
- Before installing, servicing, or performing routine maintenance upon this equipment, follow these general precautions.
- Installation and service of luminaires should be performed by a **qualified licensed electrician**.
- Maintenance of the luminaires should be performed by person(s) familiar with the luminaires' construction and operation and any hazards involved. Regular fixture maintenance programs are recommended.
- It will occasionally be necessary to clean the outside of the refractor/lens. Frequency of cleaning will depend on ambient dirt level and minimum light output which is acceptable to user. Refractor/lens should be washed in a solution of warm water and any mild, non-abrasive household detergent, rinsed with clean water and wiped dry. Should optical assembly become dirty on the inside, wipe refractor/lens and clean in above manner, replacing damaged gaskets as necessary.
- **DO NOT INSTALL DAMAGED PRODUCT!** This luminaire has been properly packed so that no parts should have been damaged during transit. Inspect to confirm. Any part damaged or broken during or after assembly should be replaced.
- Recycle: For information on how to recycle LED electronic products, please visit www.epa.gov.



WARNING
RISK OF ELECTRIC SHOCK

- ✓ Disconnect or turn off power before installation or servicing.
- ✓ Verify that supply voltage is correct by comparing it with the luminaire label information.
- ✓ Make all electrical and grounded connections in accordance with the National Electrical Code (NEC) and any applicable local code requirements.
- ✓ All wiring connections should be capped with UL approved recognized wire connectors.



WARNING
RISK OF BURN

- ✓ Allow lamp/fixture to cool before handling. Do not touch enclosure or light source.
- ✓ Do not exceed maximum wattage marked on luminaire label.
- ✓ Follow all manufacturer's warnings, recommendations and restrictions for: driver type, burning position, mounting locations/methods, replacement and recycling.



CAUTION
RISK OF INJURY

- ✓ Wear gloves and safety glasses at all times when removing luminaire from carton, installing, servicing or performing maintenance.
- ✓ Avoid direct eye exposure to the light source while it is on.



CAUTION
RISK OF FIRE

- ✓ Keep combustible and other materials that can burn, away from lamp/lens.
- ✓ Do not operate in close proximity to persons, combustible materials or substances affected by heat or drying.

- ✓ Never connect components under load.
- ✓ Do not mount or support these fixtures in a manner that can cut the outer jacket or damage wire insulation.
- ✓ Controls for dimming, auto-sensing, or remote control of a luminaire that are not factory-wired to the luminaire must be checked for compatibility with the luminaire prior to installation. LED fixtures must be powered directly off a switched circuit.
- ✓ Unless individual product specifications deem otherwise: Do not restrict fixture ventilation. Allow for some volume of airspace around fixture. Avoid covering LED fixtures with insulation, foam, or other material that will prevent convection or conduction cooling.
- ✓ Unless individual product specifications deem otherwise: Do not exceed fixtures maximum ambient temperature.
- ✓ Only use fixture in its intended location.
- ✓ LED products are Polarity Sensitive. Ensure proper Polarity before installation.
- ✓ Electrostatic Discharge (ESD): ESD can damage LED fixtures. Personal grounding equipment must be worn during all installation or servicing of the unit.
- ✓ Do not touch individual electrical components as this can cause ESD, shorten lamp life, or alter performance.
- ✓ Some components inside the fixture may not be serviceable. In the unlikely event your unit may require service, stop using the unit immediately and contact an Chameleon Lighting representative for assistance.
- ✓ Always read the fixtures complete installation instructions prior to installation for any additional fixture specific warnings.
- ✓ Always ensure that the electrical distribution system is up to NEC (and any applicable local code) requirements.
- ✓ Verify that power distribution system has proper grounding. Lack of proper earth ground can lead to fixture failure and may void warranty.



STEP-BY-STEP GUIDE FOR INSTALLING CHAMELEON SV4

Remove fixture components and parts pack
Note: Turn off power at circuit breaker box!

WIRING AND FIXTURE OPERATION CAUTION:

Connect fixture to supply wires rated for at least 90°C (194°F).

Do not use fixture on dimming circuits.

- . **Cut supply cable to desired length.** Strip black and white wire leads with wire strippers to expose 3/8"-7/16" of bare metal.
- . **Using Wire nuts, connect supply** (house) wires to fixture wires - white to white, black to black, and green to green or bare copper ground wire.
- . **Bundle wires in tight grouping to be** out of way and install fixture to junction box or cap

If using cable mounting use power cord strain relief, install the fixture on to junction box or fixture cap

For surface mounting position the Fixture Housing against Junction box in ceiling

For suspension via aircraft cable attach the cable gripper into the mounting holes

Attach other end of cable assembly to canopy with supplied hardware

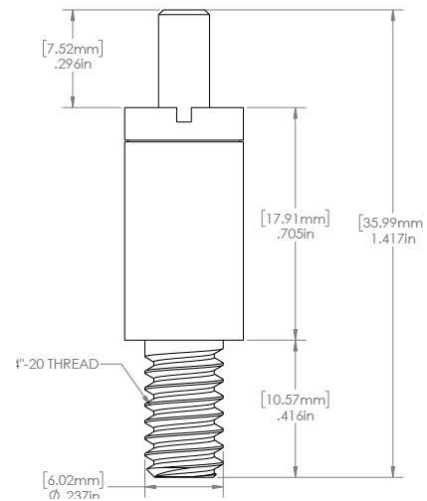
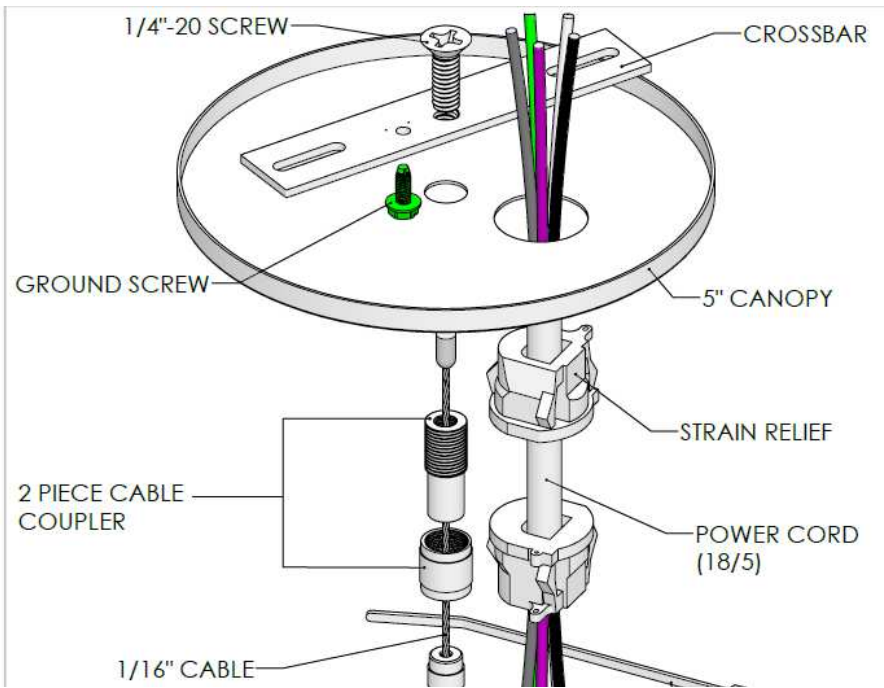
Trouble Shooting Guide

If this fixture fails to operate properly, use the guide below to diagnose and correct the problem.

- Verify that fixture is wired properly.
- Verify that fixture is grounded correctly.
- The line voltage at the fixture is correct.

If further assistance is required, contact:
888-896-2101

INSTALLATION INSTRUCTIONS FOR CCK-SV4-X CABLE HANGING

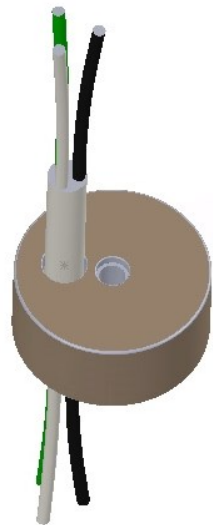


Cable Puck Suspension Assembly Instructions

Warning Electrical Shock Hazard: All wiring should be done by a qualified electrical professional

Disconnect all power sources before attempting to install

- 1) Mount Crossbar as shown to 4" Octagonal Box.
- 2) Insert Cord into Canopy using a "lock-it" strain relief then wire connections into junction box.
- 3) Insert cable into cable coupler and attach cable coupler onto stud of crossbar "sandwiching" the canopy between to coupler and the ceiling.
- 4) Lay Half Ball end cables into lower section of cable puck and close upper section of puck over top of bottom of puck aligning power cord holes of upper and lower section of puck.
- 5) Thread gripper into top of puck completing puck assembly.
- 6) Attach puck assembly to fixture by dropping paddle ends of cables into mounting holes of fixture.
- 7) Pick up fixture with puck assembly and thread end of cable into gripper on top of puck. Adjust to desired height.
- 8) Thread Cable thru both holes in Cable Locking Tube and tighten set screws.
- 9) Wire Cord into top of fixture using any included strain reliefs or bushings. You may utilize hole in puck to help cord stay into fixture assembly. Also may use cable ties or cable cord holders to keep cord toward cable suspension.



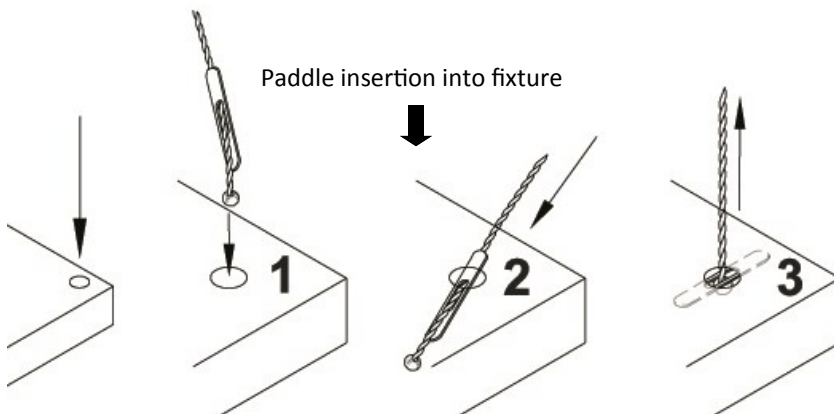
← Cord hole utilized for cord stay

Half Ball Cable ends laid into puck assembly →

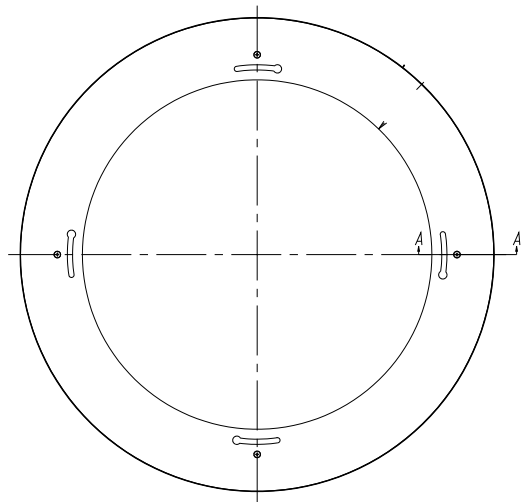
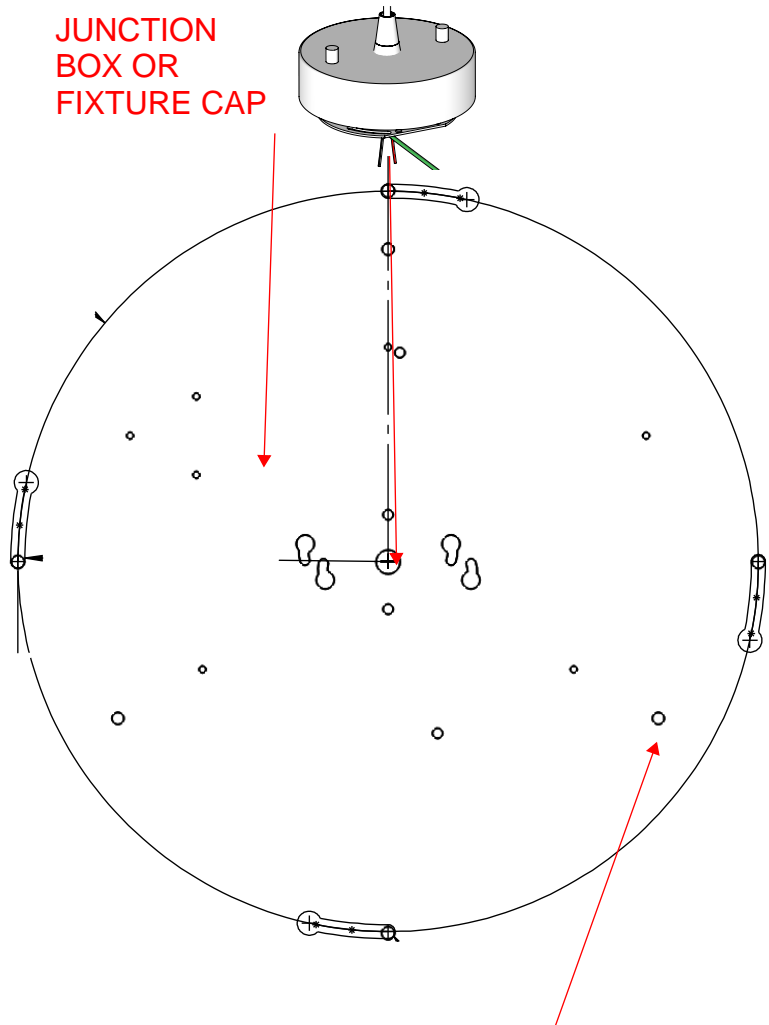
Assembly is rated for 50 Lbs. Static Loads Only



Paddle insertion into fixture



STEP-BY-STEP GUIDE FOR INSTALLING CHAMELEON SV4



Attach shade by aligning keyhole on shade with mounting screw on pan and turn counterclockwise until secure

Mounting holes for aircraft cable x 3

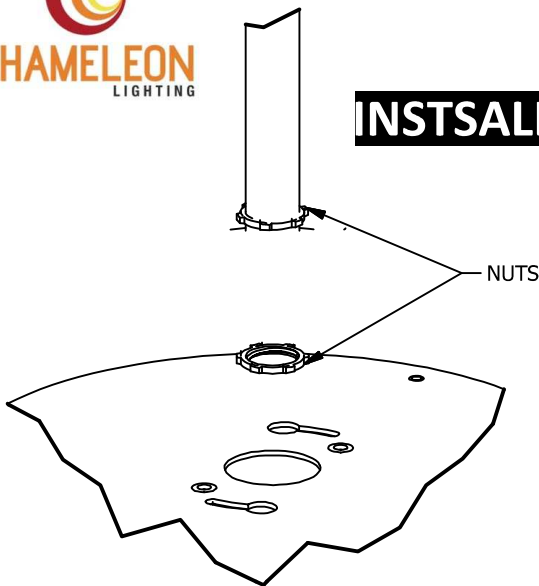


Secure cables with paddle side at bottom fixture then proceed to next page

INSTALLATION INSTRUCTIONS FOR SCK-SV4-X STEM

ASSEMBLY IS RATED FOR 50 LBS. STATIC LOADS ONLY

NOT FOR CHEMICAL OR POOL CORROSIVE ENVIRONMENTS

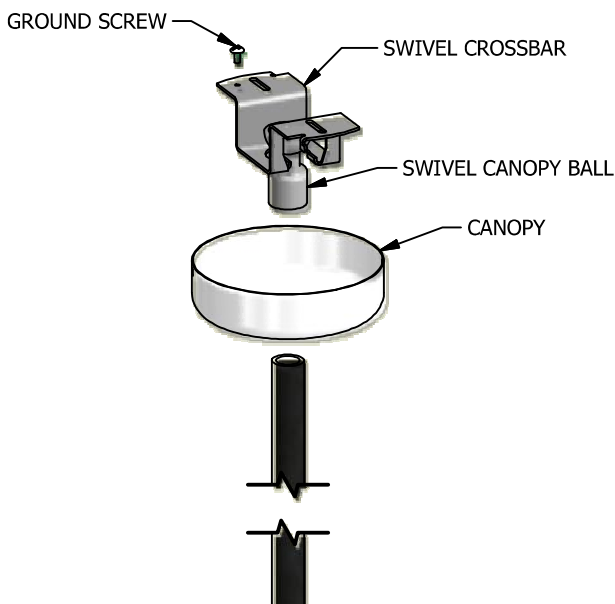


**DETAIL C
COVER PANEL CLOSE-UP**

Risk of fire and electrical shock! This fixture must be installed by a qualified electrician only! MAKE SURE ELECTRICAL CURRENT IS DISCONNECTED BEFORE KIT INSTALLATION

DISCONNECT POWER

1. UNWRAP ALL FIXTURE COMPONENTS INCLUDING SMALL PARTS BAG.
2. ATTACH THE COVER PANEL TO ONE END OF THE STEM WITH (2) NUTS.
3. LOWER THE CANOPY DOWN ONTO THE STEM IN THE PROPER ORIENTATION, AND SECURE THE BALL COUPLING TO THE REMAINING END OF THE STEM.
4. SPLICE WIRE LEADS TO THE FIXTURE, THEN FEED UP THROUGH THE STEM ASSEMBLY.



5. ATTACH THE STEM TO THE BACK OF THE FIXTURE
6. ATTACH THE SWIVEL CROSSBAR TO A 4" OCTAGONAL JUNCTION WITH HARDWARE BY OTHERS.
7. RAISE THE FIXTURE ASSEMBLY, AND SEAT THE BALL COUPLING INTO

THE SWIVEL CROSSBAR THROUGH THE OPEN SLOT.

8. WIRE CONNECTIONS FROM THE FIXTURE TO THE BUILDING AND GROUND, THEN RAISE THE CANOPY AND SNAP ONTO THE PERTRUDING TABS ON THE SWIVEL CROSSBAR.
9. RAISE AND ATTACH FIXTURE SHROUD.

RECONNECT POWER