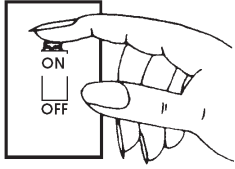




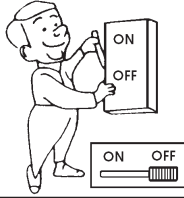
MALIBU DRUM (CMB) INSTALLATION INSTRUCTIONS

READ IMPORTANT SAFETY TIPS BEFORE PROCEEDING WITH INSTALLATION

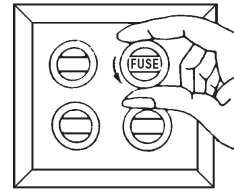
SAFETY TIPS



Turn fixture off! (Place wall switch in off position, if fixture has built-in switch or chain pull, switch or pull chain so fixture is off.)

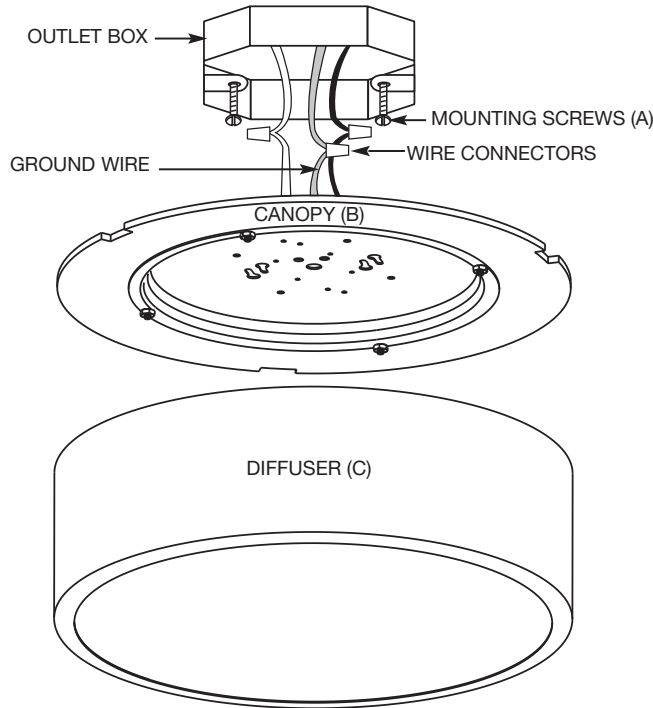


Next - go to the main fuse box. If your fuse box has an ON/OFF switch, simply place main power switch in OFF position.



Screw-in type fuses - unscrew the fuse or fuses that control the power to the fixture or room you are working in.

FLUSH MOUNT



- 1) Thread 1" long mounting screws (A) into outlet box. Be sure to leave enough of the screw extended to allow the attachment of the canopy (B).
- 2) CONNECT THE WIRES. NOTE: Attach black fixture wire to black supply wire, white fixture wire to white supply wire. Do not mix them up. Use approved wire connectors. Connect fixture ground wire(s) to ground wire from outlet box. NEVER CONNECT GROUND WIRE TO BLACK OR WHITE POWER SUPPLY WIRES.
- 3) After the wires are connected, carefully tuck them into the outlet box. Position canopy (B) to outlet box and secure with mounting screws (A). Select appropriate keyhole slots.
- 4) Place canopy (B) over the mounting screw heads (A) through the slotted key hole openings. Twist canopy (B) so fixture pan sits on screw heads. Tighten screws (A) till fixture fits firmly on ceiling. Do not over-tighten screws so not to deform fixture pan.
- 5) Install diffuser by using location tabs and twist to set position.



CLEAN ONLY WITH MILD SOAP AND WATER. AVOID SPRAYING WITH CLEANSERS, INSECTICIDES, AND PESTICIDES THAT ARE PETROLEUM BASED HYDROCARBON PRODUCTS. THESE WILL DEGRADE LUMINAIRE.

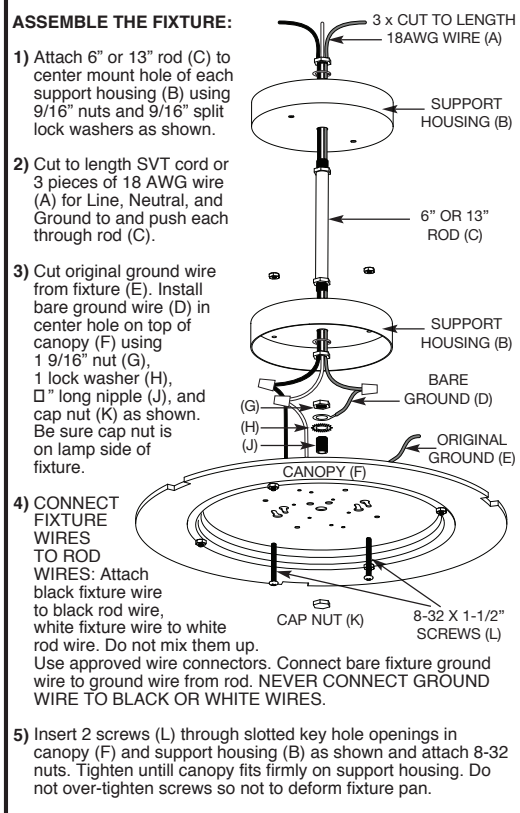
CAUTION: Do not turn on without diffuser installed. Do not touch LEDs or circuit board. LED optics could be damaged. No lamp replacement required! Integral LED light engine supplied. Do not remove protective cover from LED light engine.

OPTIONAL KIT INSTALLATION INSTRUCTIONS

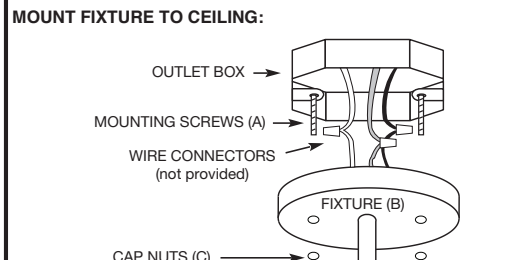
PENDANT MOUNT (PENDANT KIT SOLD SEPARATELY)

ASSEMBLE THE FIXTURE:

- 1) Attach 6" or 13" rod (C) to center mount hole of each support housing (B) using 9/16" nuts and 9/16" split lock washers as shown.
- 2) Cut to length SVT cord or 3 pieces of 18 AWG wire (A) for Line, Neutral, and Ground to and push each through rod (C).
- 3) Cut original ground wire from fixture (E). Install bare ground wire (D) in center hole on top of canopy (F) using 1 9/16" nut (G), 1 lock washer (H), 1" long nipple (J), and cap nut (K) as shown. Be sure cap nut is on lamp side of fixture.
- 4) **CONNECT FIXTURE WIRES TO ROD WIRES:** Attach black fixture wire to black rod wire, white fixture wire to white rod wire. Do not mix them up. Use approved wire connectors. Connect bare fixture ground wire to ground wire from rod. **NEVER CONNECT GROUND WIRE TO BLACK OR WHITE WIRES.**
- 5) Insert 2 screws (L) through slotted key hole openings in canopy (F) and support housing (B) as shown and attach 8-32 nuts. Tighten until canopy fits firmly on support housing. Do not over-tighten screws so not to deform fixture pan.



MOUNT FIXTURE TO CEILING:

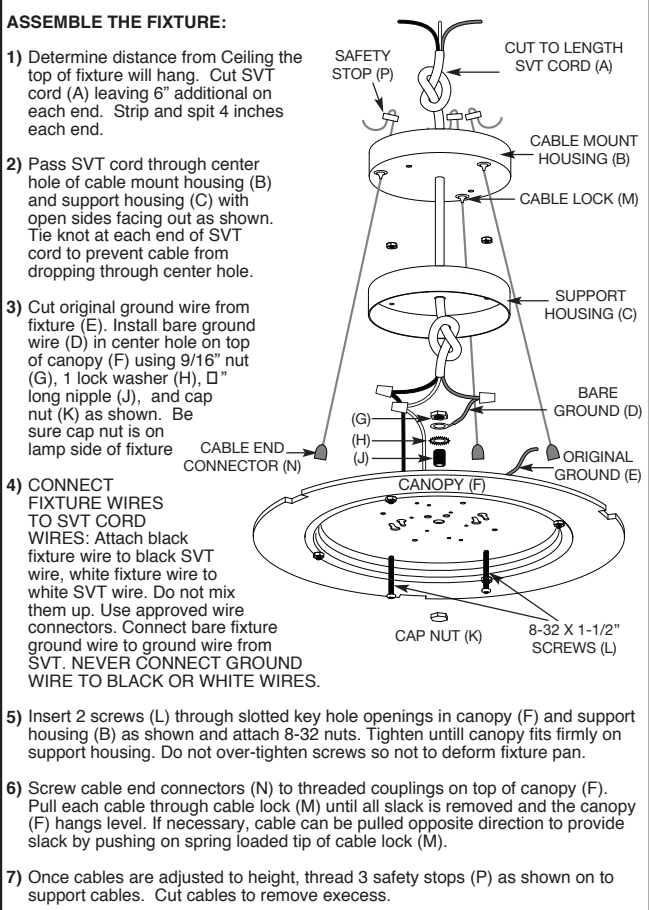


- 1) **CONNECT FIXTURE WIRES TO SUPPLY WIRES:** Attach black fixture wire to black supply wire, white fixture wire to white supply wire. Do not mix them up. Use approved wire connectors (not provided). Connect bare fixture ground wire to ground supply wire. **NEVER CONNECT GROUND WIRE TO BLACK OR WHITE WIRES.**
- 2) Screw mounting screws (A) into outlet box. Slide fixture (B) over mounting screws as shown and secure cap nuts (C) to mounting screws (A) and tighten against the ceiling.
- 3) If incandescent fixture install 40W A19 lamps, If LED fixture No lamps are required.
- 4) Install diffuser by using location tabs and twist to set position.

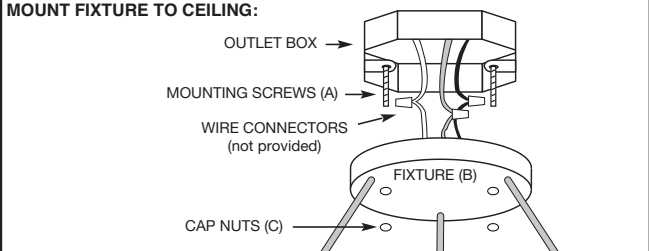
CABLE MOUNT (CABLE KIT SOLD SEPARATELY)

ASSEMBLE THE FIXTURE:

- 1) Determine distance from Ceiling the top of fixture will hang. Cut SVT cord (A) leaving 6" additional on each end. Strip and spit 4 inches each end.
- 2) Pass SVT cord through center hole of cable mount housing (B) and support housing (C) with open sides facing out as shown. Tie knot at each end of SVT cord to prevent cable from dropping through center hole.
- 3) Cut original ground wire from fixture (E). Install bare ground wire (D) in center hole on top of canopy (F) using 9/16" nut (G), 1 lock washer (H), 1" long nipple (J), and cap nut (K) as shown. Be sure cap nut is on lamp side of fixture.
- 4) **CONNECT FIXTURE WIRES TO SVT CORD WIRES:** Attach black fixture wire to black SVT wire, white fixture wire to white SVT wire. Do not mix them up. Use approved wire connectors. Connect bare fixture ground wire to ground wire from SVT. **NEVER CONNECT GROUND WIRE TO BLACK OR WHITE WIRES.**
- 5) Insert 2 screws (L) through slotted key hole openings in canopy (F) and support housing (B) as shown and attach 8-32 nuts. Tighten until canopy fits firmly on support housing. Do not over-tighten screws so not to deform fixture pan.
- 6) Screw cable end connectors (N) to threaded couplings on top of canopy (F). Pull each cable through cable lock (M) until all slack is removed and the canopy (F) hangs level. If necessary, cable can be pulled opposite direction to provide slack by pushing on spring loaded tip of cable lock (M).
- 7) Once cables are adjusted to height, thread 3 safety stops (P) as shown on to support cables. Cut cables to remove excess.



MOUNT FIXTURE TO CEILING:



- 1) **CONNECT FIXTURE WIRES TO SUPPLY WIRES:** Attach black fixture wire to black supply wire, white fixture wire to white supply wire. Do not mix them up. Use approved wire connectors (not provided). Connect bare fixture ground wire to ground supply wire. **NEVER CONNECT GROUND WIRE TO BLACK OR WHITE WIRES.**
- 2) Screw mounting screws (A) into outlet box. Slide fixture (B) over mounting screws as shown and secure cap nuts (C) to mounting screws (A) and tighten against the ceiling.
- 3) If incandescent fixture install 40W A19 lamps, If LED fixture No lamps are required.
- 4) Install diffuser by using location tabs and twist to set position.