

SLICE FABRIC SHADOW BOX - SURFACE OR SUSPENDED



SHOWN AS SUSPENDED

LED MODULE

- 3000K, 3500K, 4000K
- >90 CRI
- 3500K noted below. Consult factory for performance of all CCTs
- 34A - 34 Watt Nominal, min 2000 delivered lumens, 59 LPW, dimmable 120V TRIAC to 10%
- 20D - 24 Watt Nominal, min 2000 delivered lumens, 86 LPW, dimmable 0-10V to 1%
- 40D - 48 Watt Nominal, min 4000 delivered lumens, 86 LPW, dimmable 0-10V to 1%
- 62D - 75 Watt Nominal, min 6000 delivered lumens, 82 LPW, dimmable 0-10V to 1%

SHADE

Poly cotton blend (Kona finishes 100% cotton) laminated to styrene, closed linda white diffuser

CONSTRUCTION

18 GA steel chassis

ELECTRICAL

120-277V input power supply.

LISTING

UL for US and Canada. Suitable for damp location.

WARRANTY

5 Year Full Warranty

MOUNTING

- Surface
 - Cable (3 cable system, 50" adjustable)
 - Stem Mounting (25" stem, 45 degree swivel)
- *** Contact Factory for custom pendant lengths

BUILD YOUR PRODUCT

Grayed areas are codes for creating your lighting catalog #
 EXAMPLE CATALOG # SLC-20-K-KN/SV4-34A18-30-9/CCK-SV4-S

SHADE STYLE	SIZE	INNER SHADE MATERIAL	OUTER SHADE MATERIAL
<input type="checkbox"/> SLCSV4	<input type="checkbox"/> 20	<input type="checkbox"/> AS Ash	<input type="checkbox"/> AS Ash
		<input type="checkbox"/> LW Linda White	<input type="checkbox"/> LW Linda White
		<input type="checkbox"/> LP Linda Parchment	<input type="checkbox"/> LP Linda Parchment
		<input type="checkbox"/> CH Cream Homespun	<input type="checkbox"/> CH Cream Homespun
		<input type="checkbox"/> KN Kona Navy	<input type="checkbox"/> KN Kona Navy
		<input type="checkbox"/> RR Roja Red	<input type="checkbox"/> RR Roja Red
		<input type="checkbox"/> BS Blue Stone	<input type="checkbox"/> BS Blue Stone
		<input type="checkbox"/> OD Olive Drab	<input type="checkbox"/> OD Olive Drab
		<input type="checkbox"/> NB Natural Burlap	<input type="checkbox"/> NB Natural Burlap
		<input type="checkbox"/> CW Camelot Wheat	<input type="checkbox"/> CW Camelot Wheat
		<input type="checkbox"/> CT Camelot Tusah	<input type="checkbox"/> CT Camelot Tusah
		<input type="checkbox"/> MB Mystic Black	<input type="checkbox"/> MB Mystic Black
	<input type="checkbox"/> 29	<input type="checkbox"/> AS Ash	<input type="checkbox"/> AS Ash
	<input type="checkbox"/> 36	<input type="checkbox"/> LW Linda White	<input type="checkbox"/> LW Linda White
		<input type="checkbox"/> LP Linda Parchment	<input type="checkbox"/> LP Linda Parchment
		<input type="checkbox"/> CH Cream Homespun	<input type="checkbox"/> CH Cream Homespun
		<input type="checkbox"/> KN Kona Navy	<input type="checkbox"/> KN Kona Navy
		<input type="checkbox"/> RR Roja Red	<input type="checkbox"/> RR Roja Red
		<input type="checkbox"/> BS Blue Stone	<input type="checkbox"/> BS Blue Stone
		<input type="checkbox"/> OD Olive Drab	<input type="checkbox"/> OD Olive Drab
		<input type="checkbox"/> NB Natural Burlap	<input type="checkbox"/> NB Natural Burlap
		<input type="checkbox"/> CW Camelot Wheat	<input type="checkbox"/> CW Camelot Wheat
		<input type="checkbox"/> CT Camelot Tusah	<input type="checkbox"/> CT Camelot Tusah
		<input type="checkbox"/> MB Mystic Black	<input type="checkbox"/> MB Mystic Black

CONTINUED ON NEXT PAGE

**ADDITIONAL SHADE DIMENSIONS CAN BE FOUND ON THE NEXT PAGE

*** Specifications subject to change without notice.

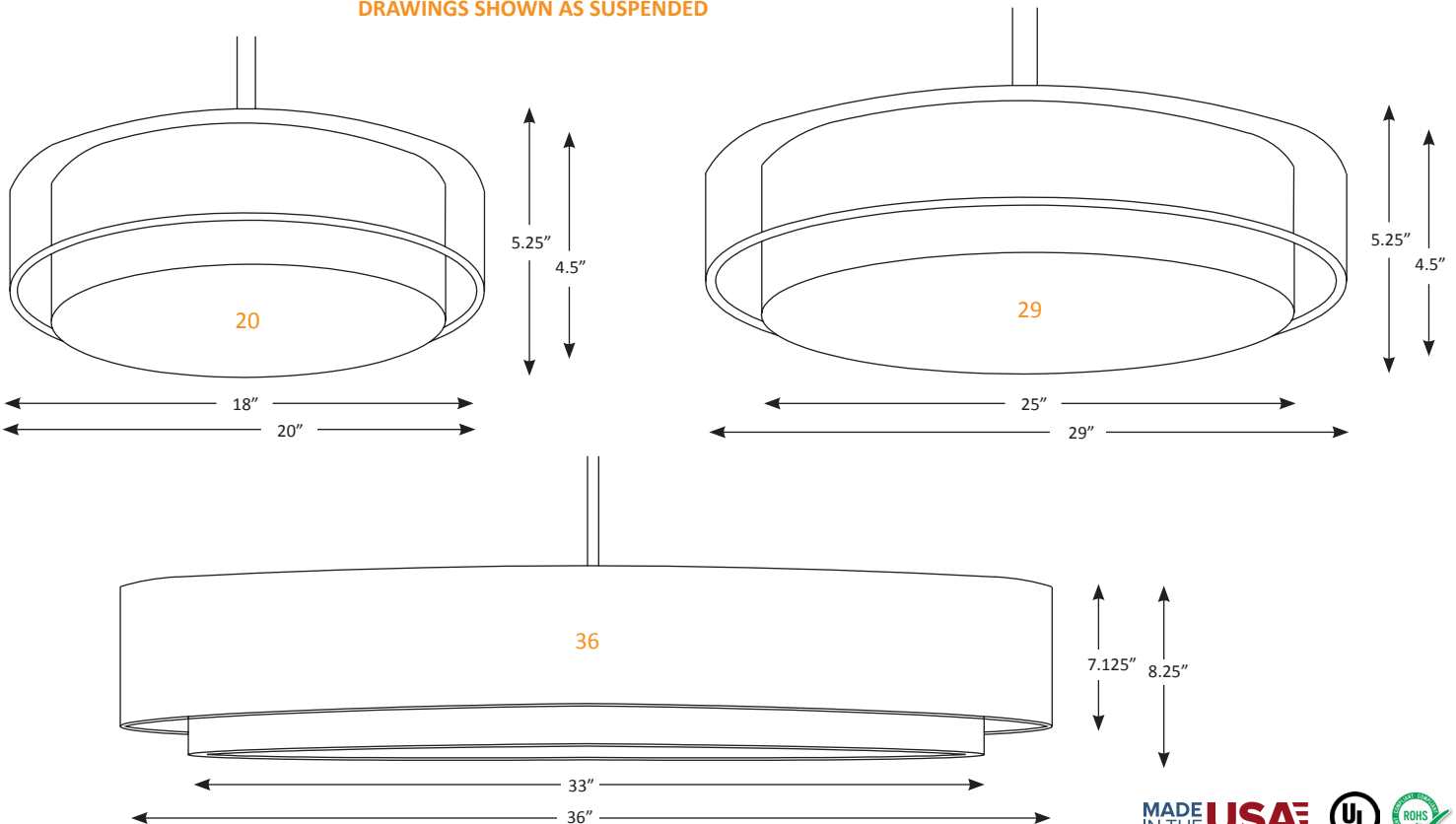
SLICE FABRIC SHADOW BOX - SURFACE OR SUSPENDED

	ELECTRICAL	LIGHT OUTPUT	COLOR TEMP.	CRI
20	<input type="checkbox"/> SV4	<input type="checkbox"/> 34A18 2000LM Triac Dimming	<input type="checkbox"/> 30 3000K	90
		<input type="checkbox"/> 20D18 2000LM 0-10V Dimming	<input type="checkbox"/> 35 3500K	
		<input type="checkbox"/> 40D18 4000LM 0-10V Dimming	<input type="checkbox"/> 40 4000K	
29 36	<input type="checkbox"/> SV4	<input type="checkbox"/> 34A24 2000LM Triac Dimming	<input type="checkbox"/> 30 3000K	90
		<input type="checkbox"/> 40D24 4000LM 0-10V Dimming	<input type="checkbox"/> 35 3500K	
		<input type="checkbox"/> 62D24 6000LM 0-10V Dimming	<input type="checkbox"/> 40 4000K	

MOUNTING		FINISH	
<input type="checkbox"/> CCK-SV4	Aircraft Cable	<input type="checkbox"/> S	Silver
<input type="checkbox"/> SCK-SV4	Stem Mount	<input type="checkbox"/> B	Black
		<input type="checkbox"/> W	White
<input type="checkbox"/> (blank)	Surface Mount	<input type="checkbox"/> C	Custom

ADDITIONAL SHADE DIMENSIONS

DRAWINGS SHOWN AS SUSPENDED



*** Specifications subject to change without notice.