



CATALOG #

# FABRIC DRUM



## LIGHT ENGINE SPECIFICATIONS:

**MOUNTING** Fixture comes with 10ft braided cord and 4 3/8" OD \*7/8" canopy  
Mounts to 3 1/2"-4" round J box

**FIXTURE DIMENSIONS** 2 1/2" H x 1 1/2" W

**SHADE** Poly cotton blend (Kona finishes 100% cotton)  
laminated to styrene, closed linda white diffuser

**OPTICAL SYSTEM** Interchangeable screw-in LED lamps  
(lamp not included)

**ELECTRICAL** 120V Input  
25W,25VA (max 25W lamp LED)  
Medium E26 base socket

**LISTING** ETL for US and Canada. Suitable for listed damp location

**WARRANTY** 5 Year Full Warranty

**DIMMING** Dimmable (with compatible lamp)

**VOLTAGE** 120V Input

\*\*ADDITIONAL SHADE DIMENSIONS CAN BE FOUND ON THE NEXT PAGE

## BUILD YOUR PRODUCT

Grayed areas are codes for creating your lighting catalog #  
EXAMPLE CATALOG # **FSPS-1212R-LW/PS-10-S**

SHADE STYLE	SIZE & SHAPE*	SHADE MATERIAL			
<input type="checkbox"/> FSPS	<input type="checkbox"/> 1212R 12" Round <input type="checkbox"/> 2412R 24" Round <input type="checkbox"/> 3612R 36" Round <input type="checkbox"/> 4812R 48" Round	<input type="checkbox"/> AS Ash <input type="checkbox"/> LW Linda White <input type="checkbox"/> LP Linda Parchment <input type="checkbox"/> CH Cream Homespun <input type="checkbox"/> KN Kona Navy	<input type="checkbox"/> RR Roja Red <input type="checkbox"/> BS Blue Stone <input type="checkbox"/> OD Olive Drab <input type="checkbox"/> NB Natural Burlap <input type="checkbox"/> CW Camelot Wheat	<input type="checkbox"/> CT Camelot Tusah <input type="checkbox"/> MB Mystic Black <input type="checkbox"/> C Custom	

ELECTRICAL	CORD LENGTH	CORD/CANOPY FINISH
<input type="checkbox"/> PS	<input type="checkbox"/> 10 10ft Adjustable	<input type="checkbox"/> S Silver <input type="checkbox"/> B Black <input type="checkbox"/> W White

\*Shades 24"+ come with additional 3 cable aircraft cable system for leveling support

\*\*\* Specifications subject to change without notice.



WWW.CHAMELEONLTG.COM



CATALOG #

# FABRIC DRUM



## LIGHT ENGINE SPECIFICATIONS:

**MOUNTING** Fixture comes with 10ft braided cord and 4 3/8" OD \*7/8" canopy  
Mounts to 3 1/2"-4" round J box

**FIXTURE DIMENSIONS** 2 1/2" H x 1 1/2" W

**SHADE** Poly cotton blend (Kona finishes 100% cotton) laminated to styrene, closed linda white diffuser

**OPTICAL SYSTEM** Interchangeable screw-in LED lamps (lamp not included)

**ELECTRICAL** 120V Input  
25W,25VA (max 25W lamp LED)  
Medium E26 base socket

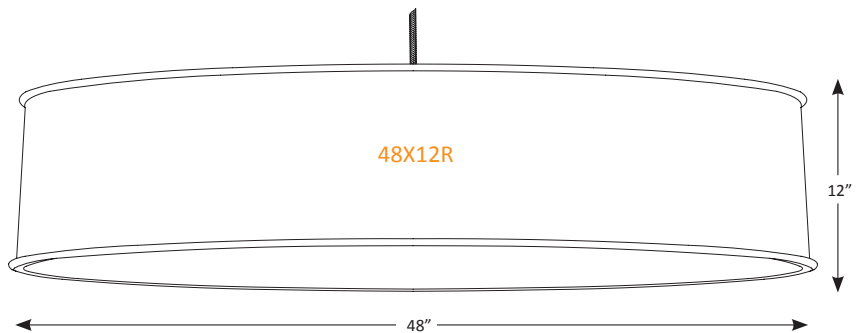
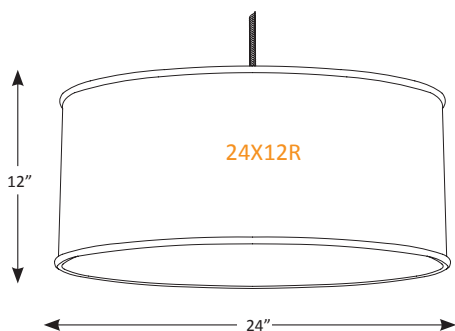
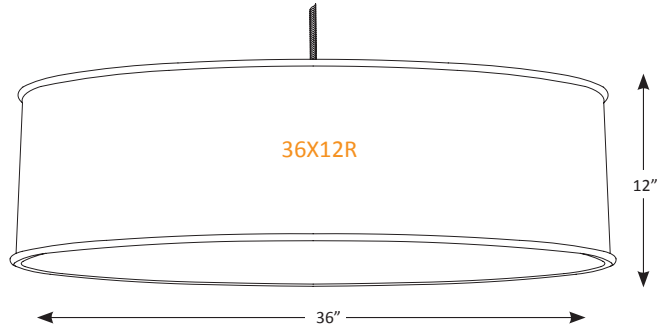
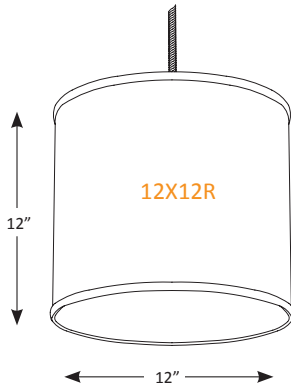
**LISTING** ETL for US and Canada. Suitable for listed damp location

**WARRANTY** 5 Year Full Warranty

**DIMMING** Dimmable (with compatible lamp)

**VOLTAGE** 120V Input

## ADDITIONAL SHADE DIMENSIONS



WWW.CHAMELEONLTG.COM