

**TRADITIONAL HIGHBAY**



**LED MODULE** Bridgelux diode with a 3 step MacAdams ellipse

**THERMAL MANAGEMENT** The fixture is designed with a special passive heat sink to keep it running well below specifications. This ensures long life in excess of 50,000 hours.

**OPTICAL SYSTEM** 3.25" diameter aluminized reflectors are over 89% efficient and are interchangeable with a snap on connector.

**CONSTRUCTION** Extruded aluminum heat sink  
20', 3 wire cord cuttable in the field

**ELECTRICAL** The LED driver is mounted in fixture canopy, except for models L15 and L18 which requires an included remote enclosure

**LISTING** UL for US and Canada, Suitable for listed damp location

**WARRANTY** 5 Year Full Warranty

**DIMMING** Dimming capabilities to dim down to 1%  
0-10V dimming

**VOLTAGE** 120~277V

**LUMEN OUTPUT** Provides up to 18,000LM, 132.5 LPW  
Consult IES files for specific lumen values  
(available at [www.chameleontlg.com](http://www.chameleontlg.com))

**BUILD YOUR PRODUCT**

Grayed areas are codes for creating your lighting catalog #  
EXAMPLE CATALOG # HBV2-16-AR/P5-S-L3-30-8

SHADE STYLE	SIZE	REFLECTOR
<input type="checkbox"/> HBV2	<input type="checkbox"/> 12* <input type="checkbox"/> 16	<input type="checkbox"/> AR Acrylic

\*ONLY AVAILABLE FOR L3 AND L6 VERSIONS

LIGHT SOURCE	FINISH	LIGHT OUTPUT	COLOR TEMP.	CRI
<input type="checkbox"/> P5	<input type="checkbox"/> S Silver <input type="checkbox"/> B Black	<input type="checkbox"/> L3 3,000LM <input type="checkbox"/> L6 6,000LM <input type="checkbox"/> L8 8,000LM <input type="checkbox"/> L12 12,000LM <input type="checkbox"/> L15 15,000LM <input type="checkbox"/> L18 18,000LM	<input type="checkbox"/> 30 3000 <input type="checkbox"/> 35 3500 <input type="checkbox"/> 40 4000	<input type="checkbox"/> 8 80 <input type="checkbox"/> 9 90

**OPTIONAL REMOTE EMERGENCY BACKUP (FIELD INSTALLED)**

<input type="checkbox"/> EM-ITA	Yes
<input type="checkbox"/> (blank)	No

**TRADITIONAL HIGHBAY**



**LED MODULE** Bridgelux diode with a 3 step MacAdams ellipse

**THERMAL MANAGEMENT** The fixture is designed with a special passive heat sink to keep it running well below specifications. This ensures long life in excess of 50,000 hours.

**OPTICAL SYSTEM** 3.25" diameter aluminized reflectors are over 89% efficient and are interchangeable with a snap on connector.

**CONSTRUCTION** Extruded aluminum heat sink  
 20', 3 wire cord cuttable in the field

**ELECTRICAL** The LED driver is mounted in fixture canopy, except for models L15 and L18 which requires an included remote enclosure

**LISTING** UL for US and Canada, Suitable for listed damp location

**WARRANTY** 5 Year Full Warranty

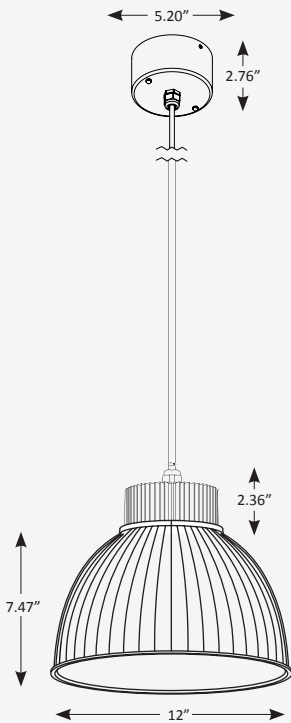
**DIMMING** Dimming capabilities to dim down to 1%  
 0-10V dimming

**VOLTAGE** 120~277V

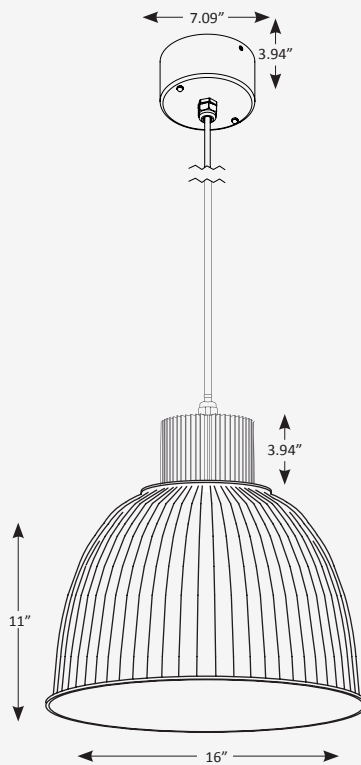
**LUMEN OUTPUT** Provides up to 18,000LM, 132.5 LPW  
 Consult IES files for specific lumen values  
 (available at [www.chameleonltg.com](http://www.chameleonltg.com))

**ADDITIONAL DIMENSIONS**

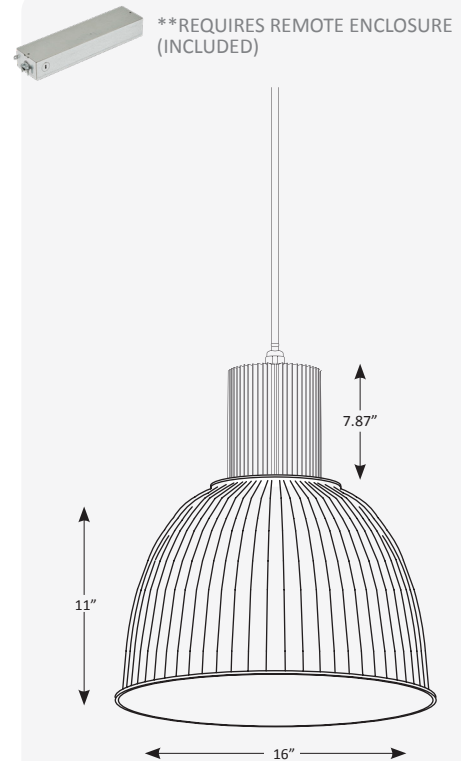
L3/L6



L8/L12



L15/L18



\*\*\* Specifications subject to change without notice.