

P5 PASSIVE PENDANT



**SEE DRAWINGS ON NEXT PAGE

- LED MODULE** Bridgelux diode with a 3 step MacAdams ellipse
- THERMAL MANAGEMENT** The fixture is designed with a special passive heat sink to keep it running well below specifications. This ensures long life in excess of 50,000 hours.
- OPTICAL SYSTEM** 3.25" diameter aluminized reflectors are over 89% efficient and are interchangeable with a snap on connector.
- CONSTRUCTION** Extruded aluminum heat sink
20', 3 wire cord cuttable in the field
- ELECTRICAL** The LED driver is mounted in fixture canopy, except for models L15 and L18 which requires an included remote enclosure
- LISTING** UL for US and Canada, Suitable for listed damp location
- WARRANTY** 5 Year Full Warranty
- DIMMING** Dimming capabilities to dim down to 1%
0-10V dimming
- VOLTAGE** 120~277V
- LUMEN OUTPUT** Provides up to 18,000LM, 132.5 LPW
Consult IES files for specific lumen values
(available at www.chameleonltg.com)

BUILD YOUR PRODUCT

Grayed areas are codes for creating your lighting catalog #
 EXAMPLE CATALOG # P5-S-L3-30-8-R64

ELECTRICAL	FINISH	LIGHT OUTPUT	COLOR TEMP.	CRI	BEAM SPREAD
<input type="checkbox"/> P5	<input type="checkbox"/> S Silver <input type="checkbox"/> B Black	<input type="checkbox"/> L3 3,000LM <input type="checkbox"/> L6 6,000LM <input type="checkbox"/> L8 8,000LM <input type="checkbox"/> L12 12,000LM <input type="checkbox"/> L15 15,000LM <input type="checkbox"/> L18 18,000LM	<input type="checkbox"/> 30 3000 <input type="checkbox"/> 35 3500 <input type="checkbox"/> 40 4000	<input type="checkbox"/> 8 80 <input type="checkbox"/> 9 90	<input type="checkbox"/> R39 39 Degree <input type="checkbox"/> R64 64 Degree

OPTIONAL UPLIGHT	CCT
<input type="checkbox"/> PUPL Yes <input type="checkbox"/> (blank) No	<input type="checkbox"/> 30 3000K <input type="checkbox"/> 35 3500K <input type="checkbox"/> 40 4000K

*2500LM, separate light engine with its own driver
 *field installed option to be installed with 2 wire cord supplied by contractor

OPTIONAL REMOTE EMERGENCY BACKUP (FIELD INSTALLED)
<input type="checkbox"/> EM-ITA Yes <input type="checkbox"/> (blank) No

*** Specifications subject to change without notice.

P5 PASSIVE PENDANT



LED MODULE Bridgelux diode with a 3 step MacAdams ellipse

THERMAL MANAGEMENT The fixture is designed with a special passive heat sink to keep it running well below specifications. This ensures long life in excess of 50,000 hours.

OPTICAL SYSTEM 3.25" diameter aluminized reflectors are over 89% efficient and are interchangeable with a snap on connector.

CONSTRUCTION Extruded aluminum heat sink
20', 3 wire cord cuttable in the field

ELECTRICAL The LED driver is mounted in fixture canopy, except for models L15 and L18 which requires an included remote enclosure

LISTING UL for US and Canada, Suitable for listed damp location

WARRANTY 5 Year Full Warranty

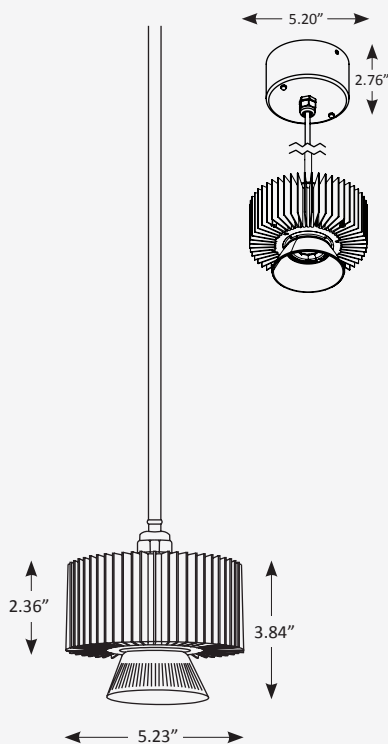
DIMMING Dimming capabilities to dim down to 1%
0-10V dimming

VOLTAGE 120~277V

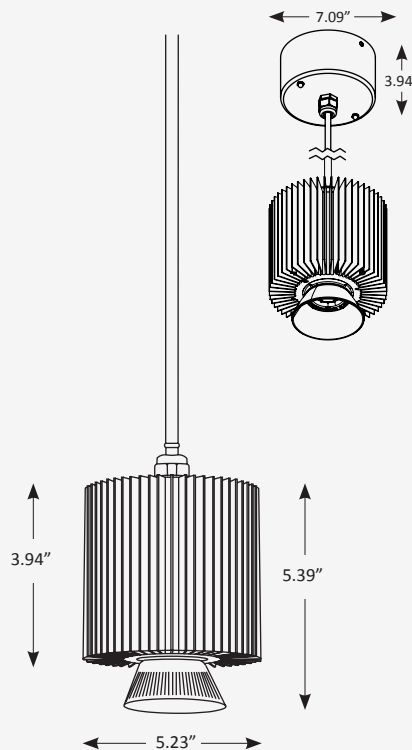
LUMEN OUTPUT Provides up to 18,000LM, 132.5 LPW
Consult IES files for specific lumen values
(available at www.chameleontlg.com)

ADDITIONAL DIMENSIONS

L3/L6



L8/L12



L15/L18**

