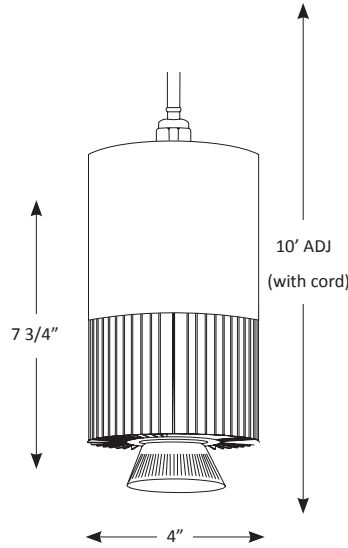


P46 PASSIVE PENDANT



LED MODULE Bridgelux diode with a 3 step MacAdams ellipse

THERMAL MANAGEMENT The fixture is designed with a special passive heat sink to keep it running well below specifications. This ensures long life in excess of 50,000 hours.

OPTICAL SYSTEM 1.75" diameter aluminized reflectors are over 89% efficient and are interchangeable with a snap on connector.

CONSTRUCTION Extruded aluminum
10', 5 wire cord cuttable in the field

ELECTRICAL The LED driver is mounted within the fixture. 0-10 V dimming is standard

LISTING UL for US and Canada, Suitable for listed damp location

WARRANTY 5 Year Full Warranty

DIMMING Dimming capabilities to dim down to 1% * for other dimming consult factory. 0-10V dimming

VOLTAGE 120~277V

LUMEN OUTPUT Provides up to 6,000 delivered lumens
Consult IES files for specific lumen values
(available at www.chameleontlg.com)

BUILD YOUR PRODUCT

Grayed areas are codes for creating your lighting catalog #
EXAMPLE CATALOG # P46-S-LED25-30-8-R20

LIGHT SOURCE	FINISH	WATTAGE (WATTS)	COLOR TEMP.	CRI	BEAM SPREAD
<input type="checkbox"/> P46	<input type="checkbox"/> S Silver <input type="checkbox"/> W White <input type="checkbox"/> B Black	<input type="checkbox"/> LED25 25 Watts <input type="checkbox"/> LED50 50 Watts	<input type="checkbox"/> 30 3000 <input type="checkbox"/> 35 3500	<input type="checkbox"/> 8 82	<input type="checkbox"/> R20 20 Degree <input type="checkbox"/> R30 30 Degree <input type="checkbox"/> R50 50 Degree

OPTIONAL EMERGENCY BACKUP

- CHA-EM-ITA Yes
 (blank) No