



**ADDITIONAL SHADE DIMENSIONS CAN BE FOUND ON THE NEXT PAGE

- LED MODULE**
 - Samsung LED
 - 3000K, 3500K, 4000K
 - 80 & 90 CRI
 - 4C- 1,400 Delivered lumens at approx. 9 watts
 - 7C- 2,500 delivered lumens at approx. 15.7 watts
 - 4FT- 5,800 delivered lumens at approx. 45 watts
 - 8FT- 11,600 delivered lumens at approx. 90 watts
- BEAM SPREADS** 50 Degree, 80 Degree beam spreads, and Wall Wash option
- CONSTRUCTION** 20 GA Steel post painted with integral driver
- ELECTRICAL** 120-277V input power supply.
- LISTING** UL for US and Canada. Suitable for damp location DLC
- WARRANTY** 5 Year Full Warranty
- MOUNTING** Surface, Suspended, or Recessed Housing (see separate recessed housing accessory cut sheet)
- SIZE** 4C (8.34") | 7C (12.06") | 4FT (45") | 8FT (90")
- ADDITIONAL OPTIONS**
 - Recessed housing for drywall or ACT Ceilings
 - Recessed Angled housing for wall wash application (see separate recessed housing accessory cut sheet)
- ADDITIONAL FEATURES**
 - 90% efficacy, up to 160+ LPW
 - Extremely even vertical illumination: less than 3:1 Ratio
 - Total fixture size is 1.75" wide by 2.25" tall
 - Easy installation
- DIMMING** 0-10V Dimming to 1%



BUILD YOUR PRODUCT

Grayed areas are codes for creating your lighting catalog #
EXAMPLE CATALOG # **LPAR-4C-30-9-50-W-750**

| LIGHT SOURCE | SIZE (NOMINAL) | COLOR TEMP. | CRI | BEAM SPREAD | FINISH | LUMEN OUTPUT (PER FT) |
|-------------------------------|---|---|--|--|--|---|
| <input type="checkbox"/> LPAR | <input type="checkbox"/> 4C <input type="checkbox"/> 8.34" <input type="checkbox"/> 7C <input type="checkbox"/> 12.09" <input type="checkbox"/> 4 <input type="checkbox"/> 45" <input type="checkbox"/> 8 <input type="checkbox"/> 90" | <input type="checkbox"/> 30 3000 <input type="checkbox"/> 35 3500 <input type="checkbox"/> 40 4000 | <input type="checkbox"/> 8 80 CRI <input type="checkbox"/> 9 90 CRI | <input type="checkbox"/> 50 50° <input type="checkbox"/> 80 80° <input type="checkbox"/> WW Wall Wash | <input type="checkbox"/> W White <input type="checkbox"/> B Black | <input type="checkbox"/> 750 750/Imft <input type="checkbox"/> 1000 1000/Imft <input type="checkbox"/> 1200 1200/Imft <input type="checkbox"/> 1500 1500/Imft |

| MOUNTING OPTIONS | FINISH |
|---|--|
| <input type="checkbox"/> SCK-LPAR Stem Kit (24", 45 Degree swivel) <input type="checkbox"/> CCK-LPAR-F/NF Cable Kit (F=FEED NF=NON-FEED) 120" Adjustable <input type="checkbox"/> SURFACE (Blank) | <input type="checkbox"/> S <input type="checkbox"/> B <input type="checkbox"/> W |

(For recessed housing accessory see separate cut sheet)

| JOINING OPTIONS | FINISH |
|--|--|
| <input type="checkbox"/> SPL Splice box for joining suspended units | <input type="checkbox"/> B Black <input type="checkbox"/> W White |

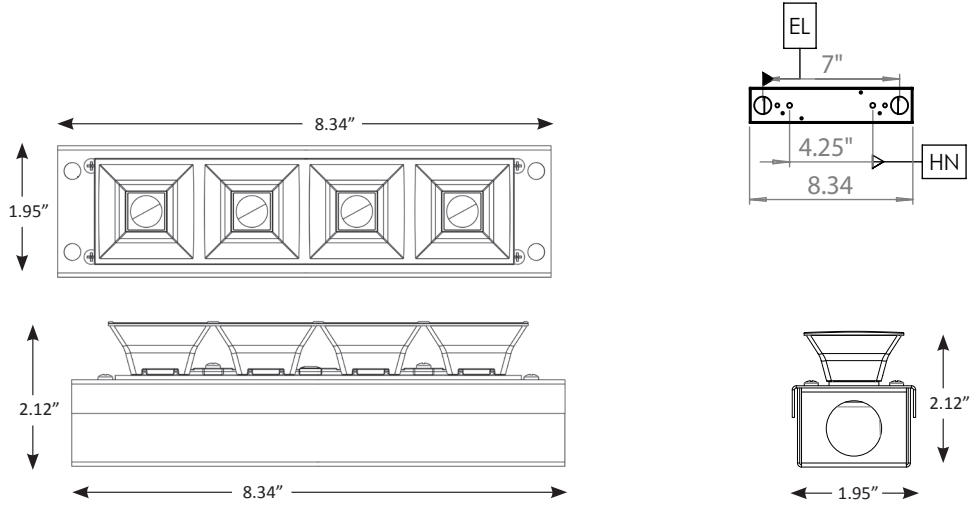
OPTIONAL REMOTE EMERGENCY BACKUP (FIELD INSTALLED)

- EM-ITA Yes
- (blank) No

*** Specifications subject to change without notice.

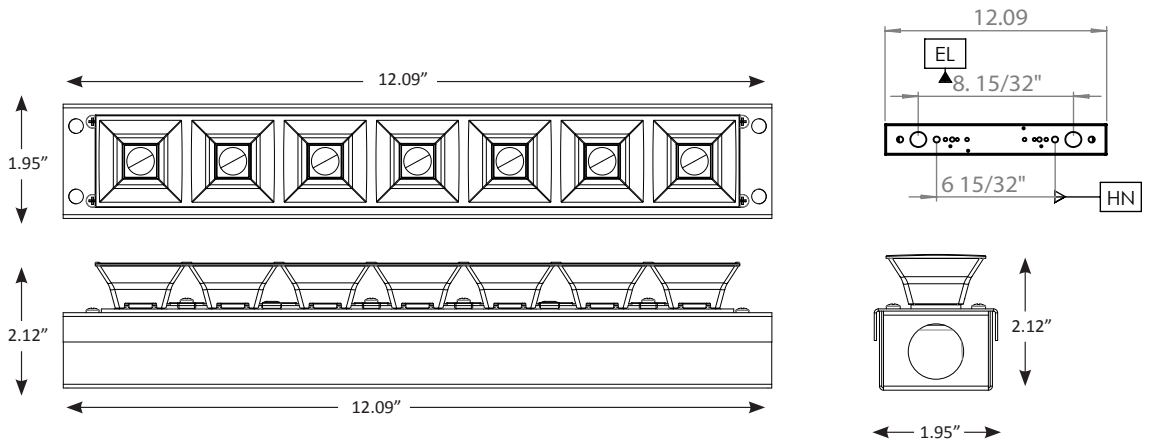
LINE DRAWINGS OF LIGHT SOURCE

4C FIXTURE



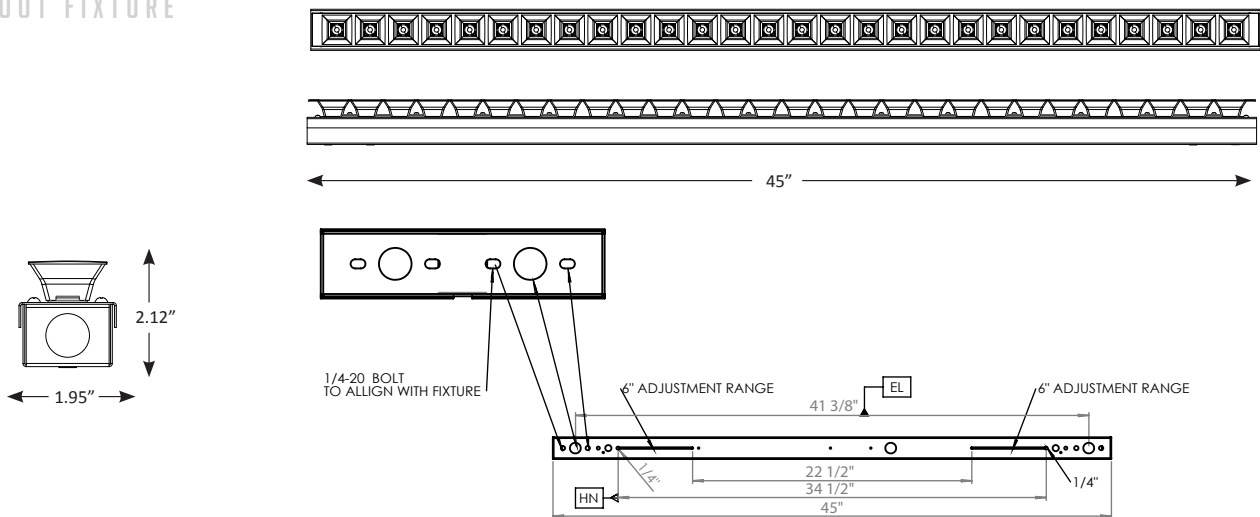
LPAR-4C

7C FIXTURE



LPAR-7C

4 FOOT FIXTURE

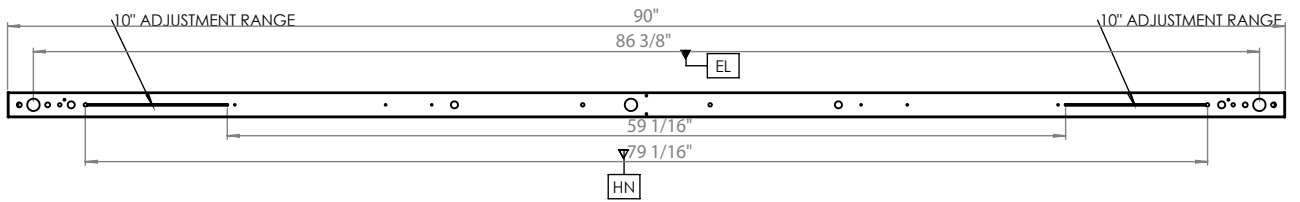
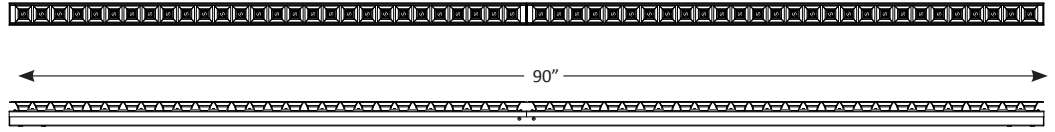
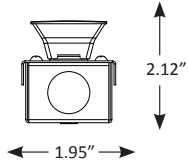


LPAR-4

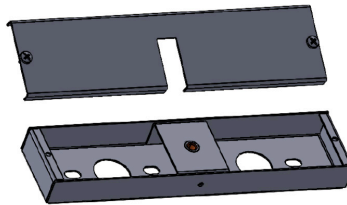
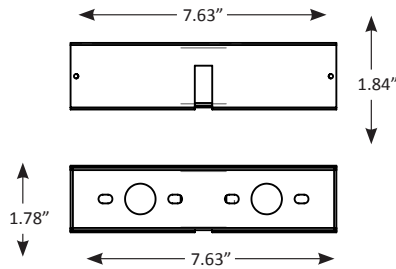
*** Specifications subject to change without notice.

LINE DRAWINGS OF LIGHT SOURCE

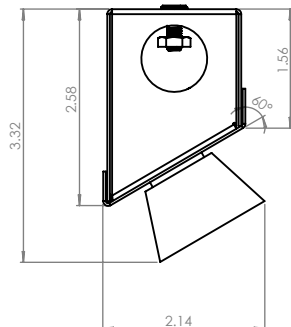
8 FOOT FIXTURE



SPLICE BOX



WALL WASH



*** Specifications subject to change without notice.