



- FEATURES**
- 3000K, 3500K, 4000K **FIELD SELECTABLE
 - >80 CRI
 - 2FT - 20/30 watt 2900/4350 lumens
 - 4FT - 30/40/50 watt 4350/5800/7250 lumens
 - 6FT - 45/60/75 watt 6525/8700/10875 lumens
 - 8FT - 60/80/100 watt 8700/11600/14500 lumens (based on 3500K)
 - Up to 147 LPW
 - Selectable wattage and Color temperature
 - Easy installation
 - Frosted diffuser for uniform light
 - Linkable for seamless runs
 - Uplight - factory installed, selectable distribution for direct and indirect: 70/30, 50/50 or 100/0 distribution
 - Lighted Patterns - 90 degree, 120 degree, "X" and "T"

CONSTRUCTION Extruded Aluminum

ELECTRICAL 120-277V input power supply.

LISTING ETL for US and Canada. Suitable for damp location
DLC

WARRANTY 5 Year Full Warranty

MOUNTING Surface, Suspended, Wall, or Recessed Housing

SIZE 2ft | 4ft | 6ft | 8ft nominal

ADDITIONAL OPTIONS

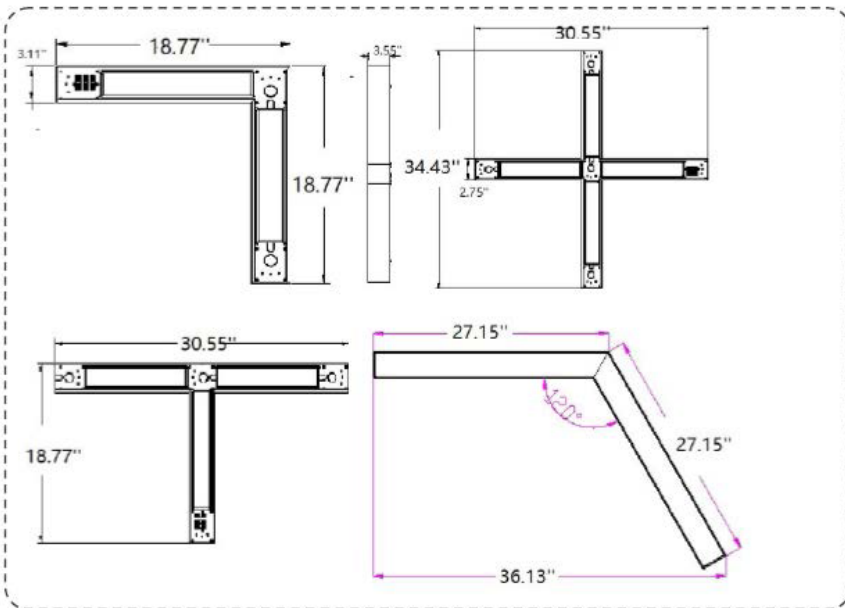
- 8 Watt Emergency pack
- Field installed uplight accessory - to add to downlight only fixture

DIMMING 0-10V Dimming to 10%

LINE DRAWINGS OF LIGHT SOURCE



PATTERN:



2FT	23.86" x 2.75" x 3.15"
4FT	47.48" x 2.75" x 3.15"
6FT	71.10" x 2.75" x 3.15"
8FT	94.72" x 2.75" x 3.15"

BUILD YOUR PRODUCT ON NEXT PAGE

BUILD YOUR PRODUCT

Grayed areas are codes for creating your lighting catalog #
EXAMPLE CATALOG # **ILYT-D-4-W/WMT-4-W**

LIGHT SOURCE <small>**CCT AND WATTAGE FIELD SELECTABLE</small>	DISTRIBUTION	SIZE (NOMINAL)	FINISH	FACTORY INSTALLED EMERGENCY OPTION
<input type="checkbox"/> ILYT	<input type="checkbox"/> D Direct <input type="checkbox"/> DI Direct/Indirect	<input type="checkbox"/> 2 23.86" <input type="checkbox"/> 4 47.48" <input type="checkbox"/> 6 71.10" <input type="checkbox"/> 8 94.72"	<input type="checkbox"/> W White <input type="checkbox"/> B Black <input type="checkbox"/> S Silver	<input type="checkbox"/> EM-FAI yes <input type="checkbox"/> (blank) no <i>*4FT, 6FT, & 8FT ONLY</i>

MOUNTING OPTIONS		FINISH
<input type="checkbox"/> ILYT-RCS-TBAR2	Recessed TBAR (2FT)	<input type="checkbox"/> W White <input type="checkbox"/> B Black <input type="checkbox"/> S Silver
<input type="checkbox"/> ILYT-RCS-TBAR4	Recessed TBAR (4FT)	
<input type="checkbox"/> ILYT-RCS-TBAR6	Recessed TBAR (6FT)	
<input type="checkbox"/> ILYT-RCS-TBAR8	Recessed TBAR (8FT)	
<input type="checkbox"/> ILYT-RCS-FLNG2	Recessed Flange (2FT)	
<input type="checkbox"/> ILYT-RCS-FLNG4	Recessed Flange (4FT)	
<input type="checkbox"/> ILYT-RCS-FLNG6	Recessed Flange (6FT)	
<input type="checkbox"/> ILYT-RCS-FLNG8	Recessed Flange (8FT)	
<input type="checkbox"/> ILYT-CCK-F-144	144" Adjustable Power Feed Cable Kit with 5" Slim Cover Plate	
<input type="checkbox"/> ILYT-CCK-NF-144	144" Adjustable Non- Feed Cable Kit with 5" Slim Cover Plate	
<input type="checkbox"/> ILYT-CCK-EMF-144	240" Adjustable EM Feed Cable Kit with 5" Slim Cover Plate	
<input type="checkbox"/> ILYT-CCK-EMF-240	240" Adjustable EM Feed Cable Kit with 5" Slim Cover Plate	
<input type="checkbox"/> ILYT-CCK-F-240	240" Adjustable Power Feed Cable Kit with 5" Slim Cover Plate	
<input type="checkbox"/> ILYT-CCK-NF-240	240" Adjustable Non-Feed Cable Kit With 5" Slim Cover Plate	
<input type="checkbox"/> ILYT-SMT2	Surface (2FT)	
<input type="checkbox"/> ILYT-SMT4	Surface (4FT)	
<input type="checkbox"/> ILYT-SMT6	Surface (6FT)	
<input type="checkbox"/> ILYT-SMT8	Surface (8FT)	
<input type="checkbox"/> ILYT-WMT2	Wall (2FT)	
<input type="checkbox"/> ILYT-WMT4	Wall (4FT)	
<input type="checkbox"/> ILYT-WMT6	Wall (6FT)	
<input type="checkbox"/> ILYT-WMT8	Wall (8FT)	

ADDITIONAL OPTIONS CONTINUED ON NEXT PAGE

*** Specifications subject to change without notice.



ILLUMILIGHT

PATTERN OPTIONS		DISTRIBUTION		FINISH		OPTIONAL EMERGENCY BACKUP- FIELD INSTALLED	
<input type="checkbox"/> PAT90	90 degree	<input type="checkbox"/> D	Direct	<input type="checkbox"/> W	White	<input type="checkbox"/> EMG-FDI	Field Installed
<input type="checkbox"/> PAT120	120 degree	<input type="checkbox"/> DI	Direct/Indirect	<input type="checkbox"/> B	Black	<input type="checkbox"/> (blank)	No
<input type="checkbox"/> PATX	"X"			<input type="checkbox"/> S	Silver		
<input type="checkbox"/> PATT	"T"						

JOINING OPTIONS	
<input type="checkbox"/> ILYT-JNRBT	Joiner Bracket
<input type="checkbox"/> (blank)	none

FIELD INSTALLED UPLIGHT OPTION **CCT AND WATTAGE FIELD SELECTABLE		SIZE	FINISH		
<input type="checkbox"/> UPILYT	Uplight	<input type="checkbox"/> 2	2FT	<input type="checkbox"/> W	White
<input type="checkbox"/> (blank)	none	<input type="checkbox"/> 4	4FT	<input type="checkbox"/> B	Black
		<input type="checkbox"/> 6	6FT	<input type="checkbox"/> S	Silver
		<input type="checkbox"/> 8	8FT		