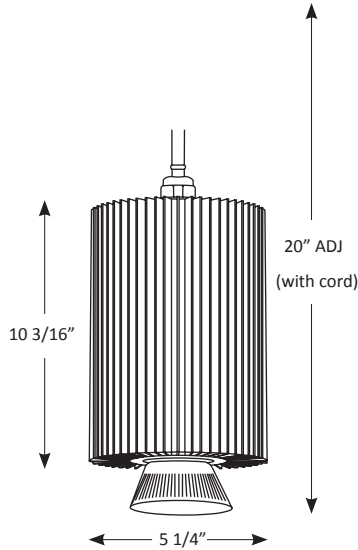


P59 PASSIVE PENDANT



LED MODULE Bridgelux diode with a 3 step MacAdams ellipse

THERMAL MANAGEMENT The fixture is designed with a special passive heat sink to keep it running well below specifications. This ensures long life in excess of 50,000 hours.

OPTICAL SYSTEM 3.25" diameter aluminized reflectors are over 89% efficient and are interchangeable with a snap on connector.

CONSTRUCTION Extruded aluminum
20', 3 wire cord cuttable in the field

ELECTRICAL The LED driver is mounted in a surface canopy or remote enclosure. 0-10 V dimming is standard

LISTING ETL for US and Canada, Suitable for listed damp location

WARRANTY 5 Year Full Warranty

DIMMING Dimming capabilities to dim down to 10% * for other dimming consult factory. 0-10V dimming




VOLTAGE 120~277V

LUMEN OUTPUT Provides up to 13,200 delivered lumens
Consult IES files for specific lumen values
(available at www.chameleonltg.com)

BUILD YOUR PRODUCT

Grayed areas are codes for creating your lighting catalog #
EXAMPLE CATALOG # P59-S-CORD-S-LED28-30-8-R64/DE-S/UPL-P59-30-W

LUMINAIRE	FINISH	MOUNTING	CORD COLOR	WATTAGE (WATTS)	COLOR TEMP.	CRI	BEAM SPREAD
<input type="checkbox"/> P59	<input type="checkbox"/> S Silver	<input type="checkbox"/> Cord	<input type="checkbox"/> S Silver	<input type="checkbox"/> LED10 40 Watts <input type="checkbox"/> LED20 80 Watts <input type="checkbox"/> LED25 100 Watts <input type="checkbox"/> LED28 120 Watts	<input type="checkbox"/> 27 2700 <input type="checkbox"/> 30 3000 <input type="checkbox"/> 35 3500 <input type="checkbox"/> 40 4000	<input type="checkbox"/> 8 82 <input type="checkbox"/> 9 92	<input type="checkbox"/> R39 39 Degree <input type="checkbox"/> R64 64 Degree

DRIVER HOUSING	FINISH
<input type="checkbox"/> SDE Surface Drive Enclosure  2.25" H x 12.25"	<input type="checkbox"/> S Silver <input type="checkbox"/> B Black <input type="checkbox"/> W White
<input type="checkbox"/> FDP Flat Driver Plate  13.625" D x .125" H	
<input type="checkbox"/> DE Remote Driver Enclosure  (only available in Silver) 12.5" L x 3" W x 2" D	

OPTIONAL UPLIGHT	CCT	FINISH
<input type="checkbox"/> UPL-P59 Yes <input type="checkbox"/> (blank) No	<input type="checkbox"/> 30 3000K <input type="checkbox"/> 35 3500K	<input type="checkbox"/> S Silver <input type="checkbox"/> B Black <input type="checkbox"/> W White

OPTIONAL EMERGENCY BACKUP
<input type="checkbox"/> CHA-EM Yes <input type="checkbox"/> (blank) No

P59 LUMEN OUTPUTS

PART NUMBER	LUMEN OUTPUT	WATTAGE
P59-S-CORD-S-LED25-30-8-R64	12335	100
P59-S-CORD-S-LED25-35-8-R64	12355	100
P59-S-CORD-S-LED25-40-8-R64	12361	100
P59-S-CORD-S-LED25-30-8-R39	11959	100
P59-S-CORD-S-LED25-35-8-R39	11959	100
P59-S-CORD-S-LED25-40-8-R39	11990	100
P59-S-CORD-S-LED25-30-8-R90	12452	100
P59-S-CORD-S-LED25-35-8-R90	12452	100
P59-S-CORD-S-LED25-40-8-R90	12483	100
P59-S-CORD-S-LED10-30-8-R64	5249	41.19
P59-S-CORD-S-LED10-35-8-R64	5249	41.19
P59-S-CORD-S-LED10-40-8-R64	5260	41.19
P59-S-CORD-S-LED10-30-8-R39	5089	41.19
P59-S-CORD-S-LED10-35-8-R39	5089	41.19
P59-S-CORD-S-LED10-40-8-R39	5102	41.19
P59-S-CORD-S-LED10-30-8-R90	5299	41.19
P59-S-CORD-S-LED10-35-8-R90	5299	41.19
P59-S-CORD-S-LED10-40-8-R90	5312	41.19
P59-S-CORD-S-LED20-30-8-R64	10101	80
P59-S-CORD-S-LED20-35-8-R64	10101	80
P59-S-CORD-S-LED20-40-8-R64	10695	80
P59-S-CORD-S-LED20-30-8-R39	9798	80
P59-S-CORD-S-LED20-35-8-R39	9798	80
P59-S-CORD-S-LED20-40-8-R39	10374	80
P59-S-CORD-S-LED20-30-8-R90	10202	80
P59-S-CORD-S-LED20-35-8-R90	10202	80
P59-S-CORD-S-LED20-40-8-R90	10802	80
P59-S-CORD-S-LED28-30-8-R64	12955	122.82
P59-S-CORD-S-LED28-35-8-R64	12955	122.82
P59-S-CORD-S-LED28-40-8-R64	13085	122.82
P59-S-CORD-S-LED28-30-8-R39	12566	122.82
P59-S-CORD-S-LED28-35-8-R39	12566	122.82
P59-S-CORD-S-LED28-40-8-R39	12692	122.82
P59-S-CORD-S-LED28-30-8-R90	13085	122.82
P59-S-CORD-S-LED28-35-8-R90	13085	122.82
P59-S-CORD-S-LED28-40-8-R90	13216	122.82