



**INSTALLATION INSTRUCTIONS FOR
FIXTURE:
SV2 14 OR SV2 22 - SURFACE MOUNT
(SV2-22 SHOWN)**

**WARNING: RISK OF FIRE AND
ELECTRIC SHOCK! THIS FIXTURE
MUST BE INSTALLED BY A QUALIFIED
ELECTRICIAN ONLY! MAKE SURE
ELECTRICAL CURRENT IS
DISCONNECTED BEFORE MAKING
ELECTRICAL SPLICES.**

**WARNING: NEVER SET FIXTURE DOWN
WITH LED SIDE FACE DOWN WITHOUT
SUPPORT RING. HIGH RISK OF
DAMAGE TO LED COMPONENTS.**

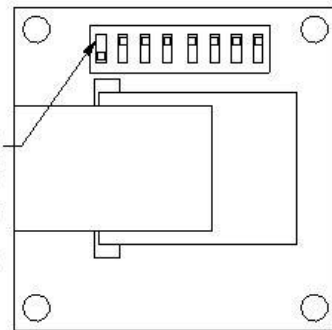
DISCONNECT POWER

1. UNWRAP ALL FIXTURE COMPONENTS INCLUDING SMALL PARTS BAGS ENCLOSED.
2. SECURE (2) 8-32 X 3" SCREWS TO MOUNTING STRAP WITH (2) 8-32 NUTS (PROVIDED), THEN ATTACH STRAP TO JUNCTION BOX.
3. RAISE FIXTURE AFTER WIRING (IF NOT WIRING TO 0-10V DIMMING, CAP THE PURPLE AND GREY LEADS), ENSURING THE MOUNTING STRAP SCREWS ARE ALIGNED WITH THE TUBES IN THE TOP OF THE FIXTURE, AND SECURE TO CEILING WITH (2) 8-32 NUTS (PROVIDED).
4. RAISE ACRYLIC OVER FIXTURE, MAKING SURE TO ALIGN SLOTS IN ACRYLIC WITH THE TABS STICKING OUT OF THE FIXTURE TO SLIP OVER, TURN AND DROP.

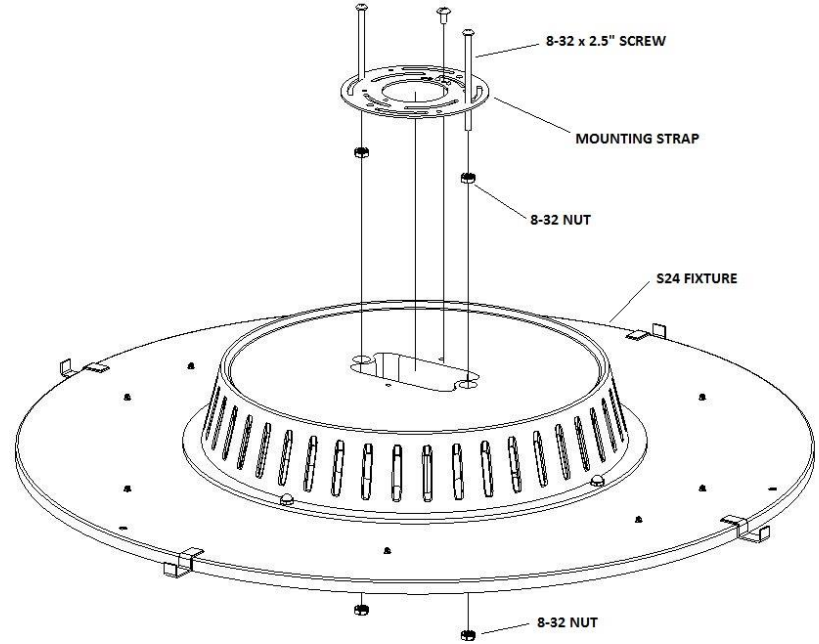
OPTIONAL 0-10V DIMMING SETTING:

1. TURN OFF POWER TO UNIT.
2. REMOVE SHROUD SO INSTALLER CHIP IS VISIBLE.
3. FLIP THE RF/0-10V DIMMING SWITCH AS SEEN IN DIAGRAM TO THE RIGHT.
4. RE-ATTACH SHROUD AND TURN POWER BACK ON TO UNIT.

**RF/0-10V DIMMING SWITCH. WHEN
POSITIONED AS SHOWN, IT IS IN RF
MODE. FLIP TO SWITCH TO 0-10V
DIMMING MODE.**



INSTALLER CHIP



RECONNECT POWER