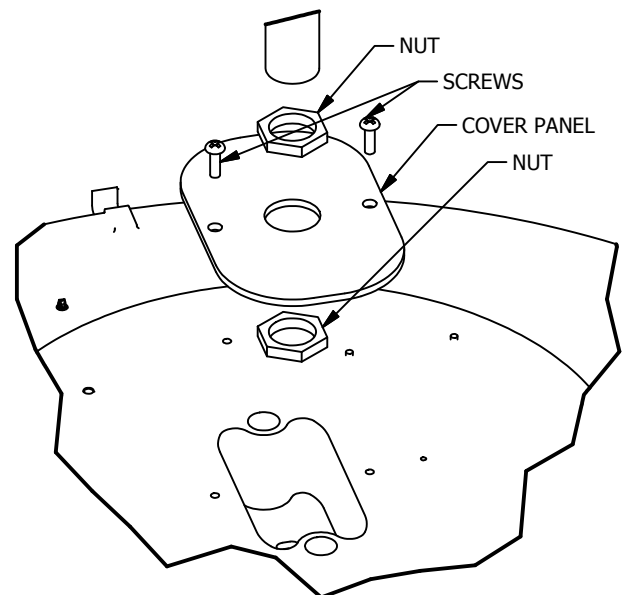
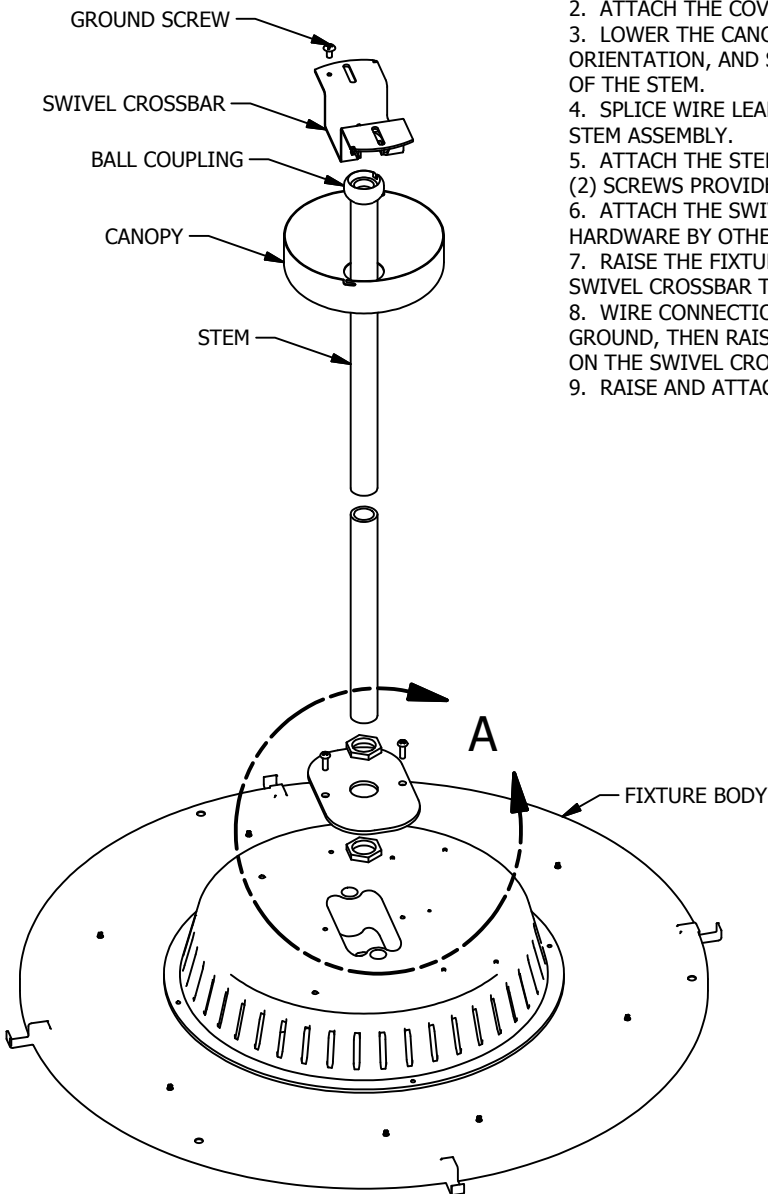


CHAMELEON LIGHTING

INSTALLATION INSTRUCTIONS FOR FIXTURE: STEM KIT FOR SV2

WARNING: Risk of fire and electric shock! This fixture must be installed by a qualified electrician only! MAKE SURE ELECTRICAL CURRENT IS DISCONNECTED BEFORE MAKING ELECTRICAL SPLICES.

1. ALWAYS DISCONNECT POWER TO UNIT BEFORE INSTALLATION OR SERVICING.
2. ATTACH THE COVER PANEL TO ONE END OF THE STEM WITH (2) NUTS.
3. LOWER THE CANOPY DOWN ONTO THE STEM IN THE PROPER ORIENTATION, AND SECURE THE BALL COUPLING TO THE REMAINING END OF THE STEM.
4. SPLICE WIRE LEADS TO THE FIXTURE, THEN FEED UP THROUGH THE STEM ASSEMBLY.
5. ATTACH THE STEM TO THE FIXTURE BODY VIA THE COVER PANEL WITH (2) SCREWS PROVIDED.
6. ATTACH THE SWIVEL CROSSBAR TO A 4" OCTAGONAL JUNCTION WITH HARDWARE BY OTHERS.
7. RAISE THE FIXTURE ASSEMBLY, AND SEAT THE BALL COUPLING INTO THE SWIVEL CROSSBAR THROUGH THE OPEN SLOT.
8. WIRE CONNECTIONS FROM THE FIXTURE TO THE BUILDING AND GROUND, THEN RAISE THE CANOPY AND SNAP ONTO THE PERTRUDING TABS ON THE SWIVEL CROSSBAR.
9. RAISE AND ATTACH FIXTURE SHROUD. TURN POWER BACK ONTO UNIT.



DETAIL A