



CHAMELEON LIGHTING



Canopy Plate

INSTALLATION INSTRUCTIONS FOR CHANGING POWERCORDS IN FIXTURE: P59 PASSIVE FROM 3-WIRE TO 5-WIRE FOR USE WITH WRAP

WARNING: Risk of fire and electric shock! This fixture must be installed by a qualified electrician only! MAKE SURE ELECTRICAL CURRENT IS DISCONNECTED BEFORE MAKING ELECTRICAL SPLICES

DISCONNECT POWER

1. REMOVE THE FIXTURE FROM THE CEILING.
2. LOOSEN STRAIN RELIEF IN THE CANOPY PLATE AND PULL 3-WIRE POWERCORD OUT.
3. REMOVE (3) 4-40 SCREWS HOLDING THE SPLICE COMPARTMENT COVER PLATE TO THE HEATSINK. UNDO ALL SPLICES TO 3-WIRE POWERCORD IN SPLICE COMPARTMENT.

4. PERFORM ELECTRICAL CONNECTION TO 5-WIRE FIXTURE

POWERCORD: CONNECT RED WIRE FROM PASSIVE HEATSINK TO BLACK WIRE FROM FIXTURE CORD, BLACK WIRE FROM PASSIVE HEATSINK TO BWHITE WIRE FROM FIXTURE CORD, AND GROUND WIRE FROM FIXTURE CORD TO GROUND WIRE FROM PASSIVE HEATSINK (BY OTHERS) **PLEASE NOTE:** THE BLUE AND RED WIRES FROM THE FIXTURE CORD INSIDE THE CAN ARE FOR THE WRAP-AROUND LED PANEL AND SHOULD BE SPLICED TO THE LED WRAP PLUG AND PULLED THROUGH THE OPEN HOLE IN THE SPLICE COMPARTMENT COVER PLATE OPPOSITE THE GROUND WIRE ATTACHMENT HOLE. THE WIRES AT THE OPPOSITE END OF THE FIXTURE CORD, (THE END THAT IS ENCLOSED IN THE J-BOX (BY OTHERS)) MUST BE CAPPED OFF W/ WIRE NUTS AS NECESSARY UNTIL FUTURE USE.

5. SECURE SPLICE COMPARTMENT COVER PLATE TO HEATSINK USING AFOREMENTIONED 4-40 SCREWS. ENSURE LED WRAP PLUG IS OUTSIDE OF THE SPLICE COMPARTMENT.

6. SLIP 5-WIRE POWERCORD THROUGH CANOPY PLATE STRAIN RELIEF.

7. PERFORM ELECTRICAL CONNECTION OF 5-WIRE POWERCORD TO DRIVER: CONNECT BLACK TO RED, WHITE TO BLUE, AND GROUND TO GROUND.

8. MOUNT CANOPY PLATE TO 4" OCTAGON J-BOX BY OTHERS. MAKE SURE ALL 5 CONDUCTORS ARE AVAILABLE IN ELECTRICAL ENCLOSURE FOR FUTURE EASY INSTALLATION OF LED WRAP-AROUND PANEL.

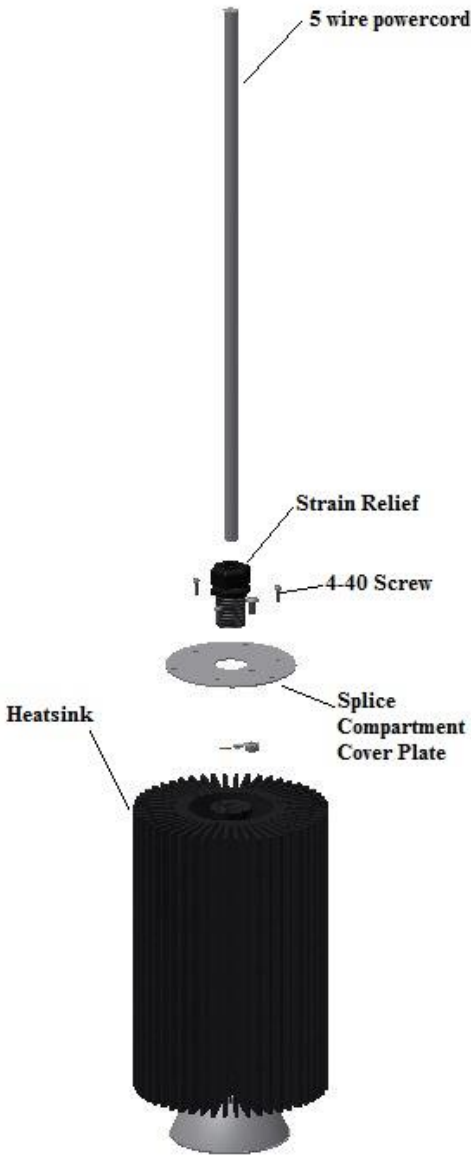
RECONNECT POWER

CLEANING AND DIODE CARE: ANY DUST OR DEBRIS ON THE YELLOW PHOSPHOR RESIN AREA OF THE LED DIODE MAY ADVERSLY AFFECT DIODE PERFORMANCE AND SHORTEN THE LIFE OF THE DIODE. ANY DUST AND DEBRIS MUST BE CLEANED PRIOR TO TURNING THE DIODE ON BY GENTLY RINSING IT WITH ISOPROPYL ALCOHOL (COMMONLY CALLED RUBBING ALCOHOL) ON A Q-TIP. AVOID APPLYING PRESSURE TO THE YELLOW PHOSPHOR RESIN AREA. CONTACT MAY CAUSE DAMAGE TO THE LED ARRAY AND WILL VOID ANY MANUFACTURERS WARRANTY.

10 Strecker Road Ellisville, MO 63011 888-896-2101 888-896-2101 Fax

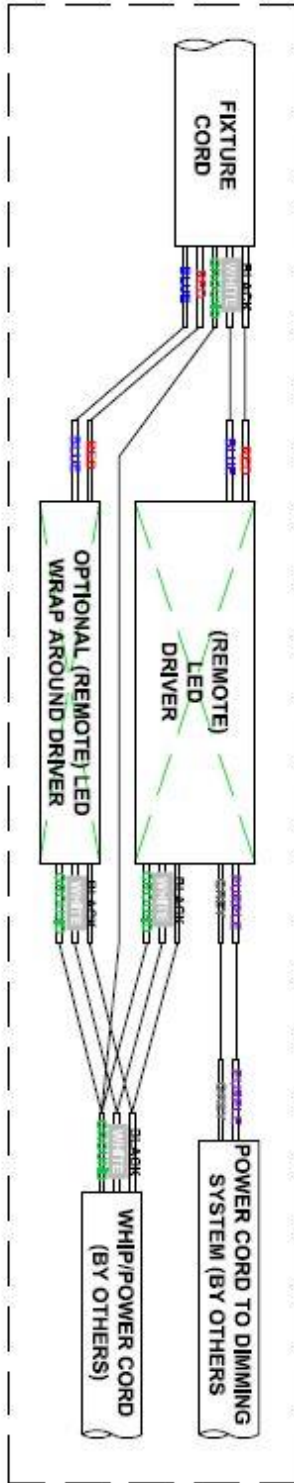
www.ChameleonLTC.com

info@ChameleonLTC.com Email





CHAMELEON





**INSTALLATION INSTRUCTION FOR CLADDING KIT:
P59 LED WRAP ATTACHMENT COMPONENTS KIT AND
SIMILAR**

WARNING: Risk of fire and electric shock! This fixture must be installed by a qualified electrician only! MAKE SURE ELECTRICAL CURRENT IS DISCONNECTED BEFORE KIT INSTALLATION

DISCONNECT POWER

1. UNWRAP ALL FIXTURE COMPONENTS INCLUDING SMALL PARTS BAG ENCLOSED.

PARTS LIST:

- (3) M3 X 10 MM SCREWS
- (1) SPREADER
- (3) 8-32 X .5" ALL-THREAD
- (3) 8-32 X .5" SCREWS
- (3) 8-32 X 1" HEX COUPLERS

2. SLIP SPREADER AROUND POWERCORD AND REST ON TOP OF HEATSINK. ENSURE THAT THE SPREADER IS ORIENTED AS SHOWN. SECURE SPREADER TO HEATSINK WITH (3) M3 X 10MM SCREWS.

3. ALIGN 8-32 X .5" ALL-THREADS WITH PEMSERTS IN THE LONGER ARMS OF THE SPREADER AND INSERT WITH APPROXIMATELY .25" STICKING OUT.

4. SECURE 8-32 X 1" HEX COUPLERS TO 8-32 X .5" ALL-THREAD.

5. RAISE LED WRAP OVER P59 FIXTURE AND ALIGN HOLES WITH 8-32 X 1" HEX COUPLERS. ENSURE THAT THE LED WRAP PLUG FROM P59 FIXTURE CAN REACH ITS CONNECTOR ON THE LED WRAP. SECURE TO HEX COUPLERS WITH 8-32 X .5" SCREWS.

6. CONNECT LED WRAP PLUG FROM P59 FIXTURE TO LED WRAP.

RECONNECT POWER

