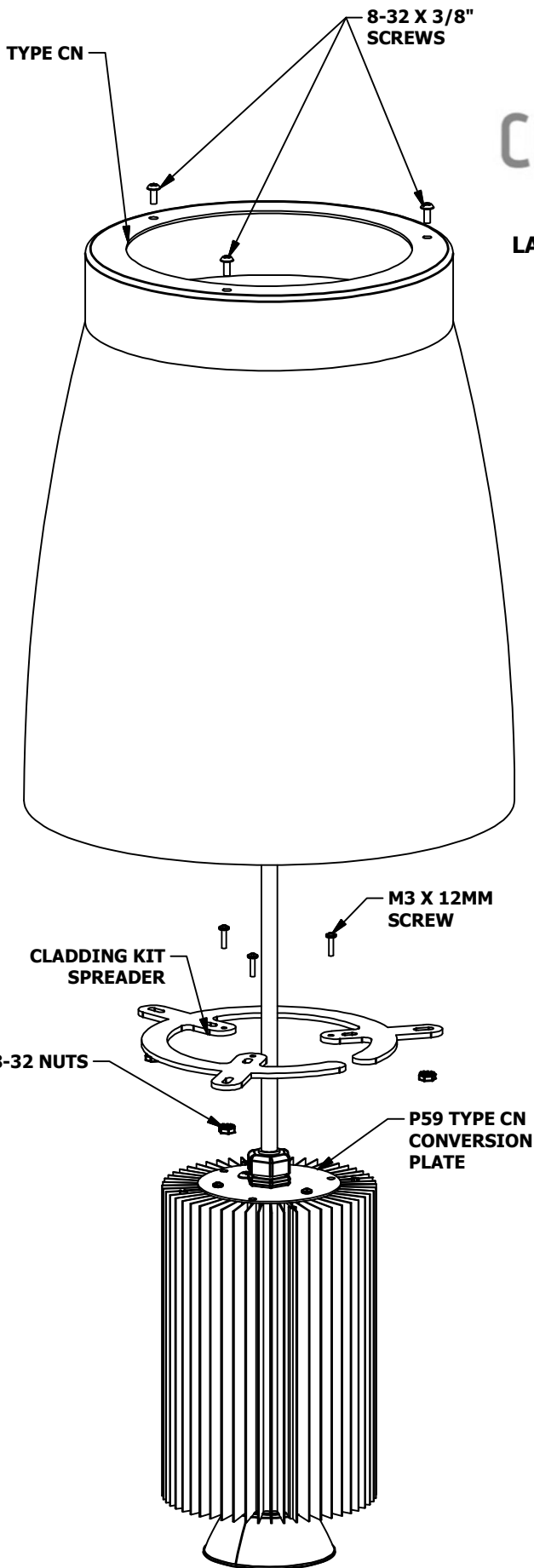




**CHAMELEON**  
LIGHTING

LAST REVISED: 6/28/2017



**INSTALLATION INSTRUCTIONS FOR CLADDING KIT:  
CHA-SP-CN-X-O-P59**

**WARNING: Risk of fire and electrical shock! This fixture must be installed by a qualified electrician only! MAKE SURE ELECTRICAL CURRENT IS DISCONNECTED BEFORE KIT INSTALLATION**

**DISCONNECT POWER**

1. UNWRAP ALL FIXTURE COMPONENTS INCLUDING SMALL PARTS BAG ENCLOSED

**PARTS LIST:**

- (3) 8-32 X 3/8" SCREWS
- (3) 8-32 NUTS
- (3) M3 X 12 MM SCREWS
- (1) CLADDING KIT SPREADER
- (1) TYPE CN SPINNING

2. RAISE TYPE CN SPINNING OVER P59 FIXTURE AND HOLD.

3. SLIP THE CLADDING KIT SPREADER AROUND THE POWERCORD AND PLACE ON TOP OF THE P59 TYPE CN CONVERSION PLATE.

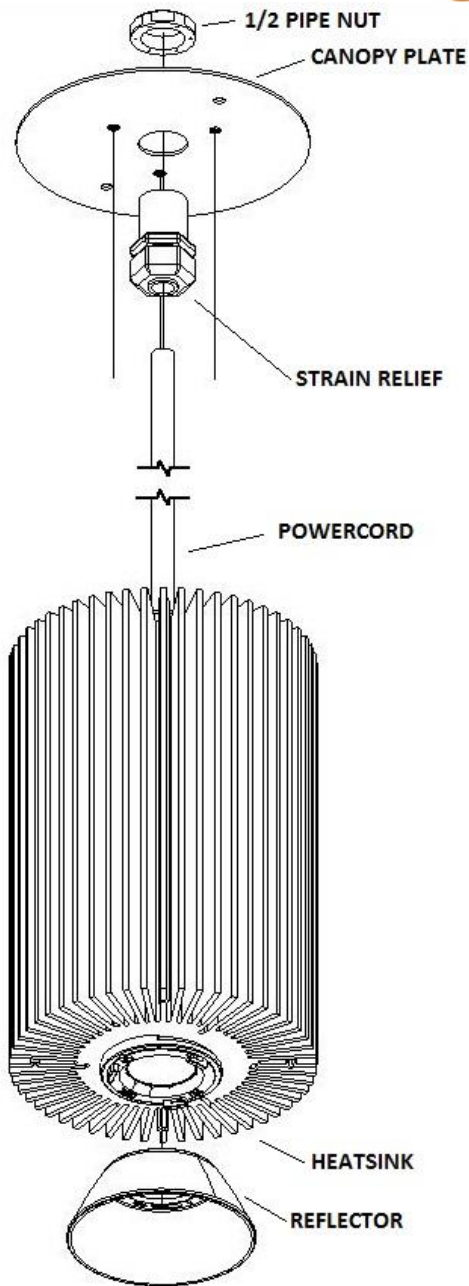
4. SECURE CLADDING KIT SPREADER TO TYPE CN SPINNING USING (3) 8-32 X 3/8" SCREWS AND (3) 8-32 NUTS.

5. SECURE CLADDING KIT SPREADER TO P59 TYPE CN CONVERSION PLATE USING (3) M3 X 12 MM SCREWS INTO TOP OF P59 FIXTURE.

10 Strecker Road Ellisville, MO 63011 888-896-2101 888-896-2101 Fax

[www.ChameleonLTG.com](http://www.ChameleonLTG.com)

[info@ChameleonLTG.com](mailto:info@ChameleonLTG.com) Email



#### INSTALLATION INSTRUCTIONS FOR FIXTURE: P59 PASSIVE

**WARNING:** Risk of fire and electric shock! This fixture must be installed by a qualified electrician only! MAKE SURE ELECTRICAL CURRENT IS DISCONNECTED BEFORE MAKING ELECTRICAL SPLICES

#### DISCONNECT POWER

1. UNWRAP ALL FIXTURE COMPONENTS INCLUDING SMALL PARTS BAGS ENCLOSED
2. FEED SUSPENSION CORD THROUGH STRAIN RELIEF ON CANOPY PLATE, ADJUST TO REQUIRED LENGTH (20 FT STANDARD)
3. INSTALL REMOTE DRIVER INTO ELECTRICAL ENCLOSURE AS NECESSARY (BY OTHERS)
4. **PERFORM ELECTRICAL CONNECTION OF REMOTE DRIVER TO FIXTURE POWERCORD:** CONNECT RED WIRE FROM DRIVER TO BLACK WIRE FROM FIXTURE CORD, BLACK WIRE FROM DRIVER TO WHITE WIRE FROM FIXTURE CORD, AND GROUND WIRE FROM FIXTURE CORD TO GROUND WIRE FROM DRIVER & POWER WHIP (BY OTHERS)
5. PERFORM ELECTRICAL CONNECTION OF REMOTE DRIVER TO J-BOX: CONNECT BLACK TO BLACK, WHITE TO WHITE, AND GROUND TO GROUND.
6. MOUNT CANOPY PLATE TO 4" OCTAGON J-BOX BY OTHERS.
7. INSTALL OPTICAL REFLECTOR, CAREFULLY ALIGN SLOTS ON REFLECTOR AND TEETH ON LAMP HOLDER, TWIST AND LOCK IN PLACE.

#### RECONNECT POWER

**CLEANING AND DIODE CARE:** ANY DUST OR DEBRIS ON THE YELLOW PHOSPHOR RESIN AREA OF THE LED DIODE MAY ADVERSLY AFFECT DIODE PERFORMANCE AND SHORTEN THE LIFE OF THE DIODE. ANY DUST AND DEBRIS MUST BE CLEANED PRIOR TO TURNING THE DIODE ON BY GENTLY RINSING IT WITH ISOPROPYL ALCOHOL (COMMONLY CALLED RUBBING ALCOHOL) ON A Q-TIP. AVOID APPLYING PRESSURE TO THE YELLOW PHOSPHOR RESIN AREA. CONTACT MAY CAUSE DAMAGE TO THE LED ARRAY AND WILL VOID ANY MANUFACTURERS WARRENTY.



# CHAMELEON

