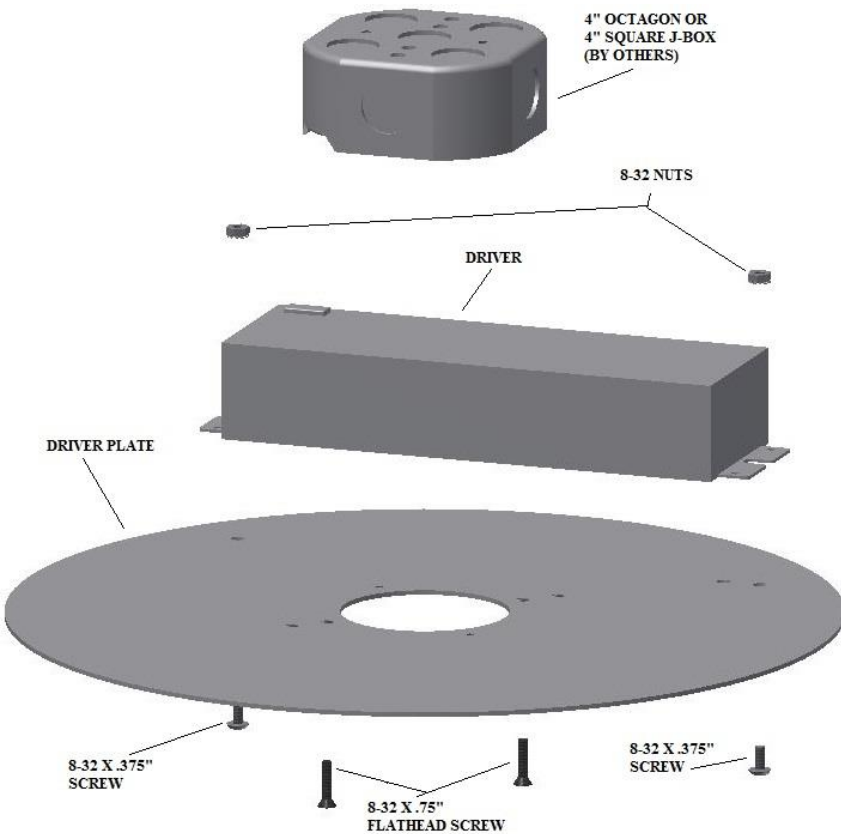




LAST REVISED: 8/9/16



INSTALLATION INSTRUCTION FOR CLADDING KIT: CHA-FDP-S AND SIMILAR

WARNING: Risk of fire and electric shock!
This fixture must be installed by a qualified electrician only! MAKE SURE ELECTRICAL CURRENT IS DISCONNECTED BEFORE KIT INSTALLATION

DISCONNECT POWER

1. UNWRAP ALL FIXTURE COMPONENTS INCLUDING SMALL PARTS BAG ENCLOSED.

PARTS LIST:

- (2) 8-32 NUTS
- (2) 8-32 X .75" FLATHEAD SCREWS
- (1) DRIVER PLATE
- (2) 8-32 X .375" SCREWS

2. ASSEMBLE DRIVER TO DRIVER PLATE USING (2) 8-32 X .375" SCREWS AND (2) 8-32 NUTS. ENSURE TO ASSEMBLE WITH SCREW HEADS ON BOTTOM SIDE OF THE DRIVER PLATE AND WITH COUNTERSUNK HOLES FOR FLATHEAD SCREWS FACING AWAY FROM THE DRIVER.

3. MAKE SPLICES TO POWER WITH THE DRIVER AND INSTALL LEADS FOR THE FIXTURE THROUGH THE J-BOX KNOCKOUT HOLE WITH CONNECTORS (BY OTHERS).

4. RAISE DRIVER PLATE (WITH DRIVER FACING UP) TO J-BOX AND SECURE WITH (2) 8-32 X .75" FLATHEAD SCREWS.

RECONNECT POWER